

BLOWER ORDER: FAX TO 713-675-6433

NAME _____ TITLE _____

COMPANY _____

CONTACT PHONE _____ EXTENSION _____

E-MAIL ADDRESS _____

BLOWER MOUNTS ON _____

STANDARD MOTOR BLOWER MODEL: 200321 Standard Steel 5 HP

Manufactured by Gulf Electroquip

PARTS DESCRIPTION

(Check ALL PARTS or INDIVIDUAL PARTS)

5 HP MOTOR TEFC/XP CAST IRON
CONSTRUCTION 3,600 RPM, 230/460 VOLTS,
3-PHASE, AC, 60HZ, UL CERTIFIED -
"XP" RATED FOR CL 1 GRP D, DIV 2 MOTOR

12" A-STYLE IMPELLER - MILD STEEL

A-STYLE HOUSING WITH GASKET MILD STEEL

A-STYLE INLET - MILD STEEL

PAINT COLOR SELECTION (Choose ONE)

 LIGHT BLUE

 MEDIUM BLUE

 DARK BLUE

 RED

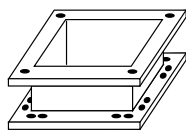
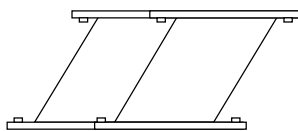
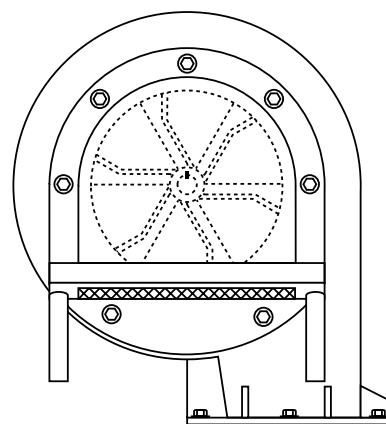
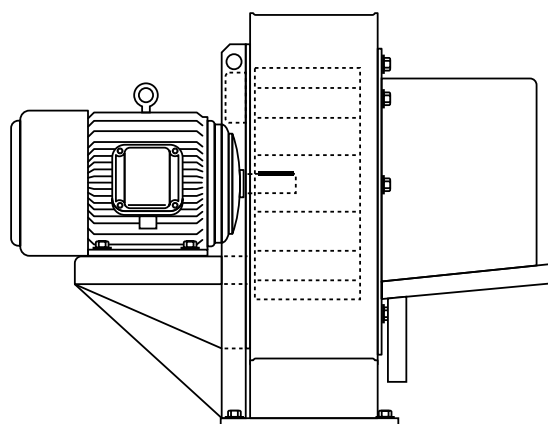
 GE GRAY

 MEDIUM GRAY

 BLACK

 SAFETY YELLOW

OR PRIMER ONLY  RED  GRAY



OFFSET FLANGE

ADAPTER FLANGE

24-HR Phone 713-675-2525 • E-Mail: parts@gulfelectroquip.com • www.gulfelectroquip.com



GULF ELECTROQUIP
ELECTRICAL MOTORS AND GENERATORS

**PARTS
COUNTER**