

BLOWER ORDER: FAX TO 713-675-6433

NAME _____ TITLE _____

COMPANY _____

CONTACT PHONE _____ EXTENSION _____

E-MAIL ADDRESS _____

BLOWER MOUNTS ON _____

STANDARD MOTOR BLOWER MODEL: 200323 Standard Steel 5 HP

Manufactured by Gulf Electroquip

PARTS DESCRIPTION

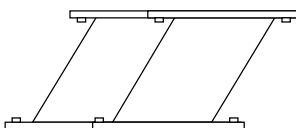
(Check ALL PARTS or INDIVIDUAL PARTS)

- 5 HP MOTOR TEFC/XP CAST IRON
CONSTRUCTION 3,600 RPM, 575 VOLTS,
3-PHASE, AC, 60HZ, UL CERTIFIED -
"XP" RATED FOR CL 1 GRP D, DIV 2 MOTOR
- 12" A-STYLE IMPELLER - MILD STEEL
- A-STYLE HOUSING WITH GASKET MILD STEEL
- A-STYLE INLET - MILD STEEL

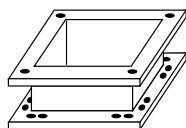
PAINT COLOR SELECTION (Choose ONE)

- | | |
|---|--|
| <input type="checkbox"/>  LIGHT BLUE | <input type="checkbox"/>  MEDIUM BLUE |
| <input type="checkbox"/>  DARK BLUE | <input type="checkbox"/>  RED |
| <input type="checkbox"/>  GE GRAY | <input type="checkbox"/>  MEDIUM GRAY |
| <input type="checkbox"/>  BLACK | <input type="checkbox"/>  SAFETY YELLOW |

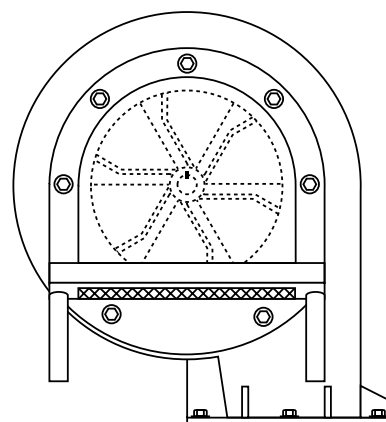
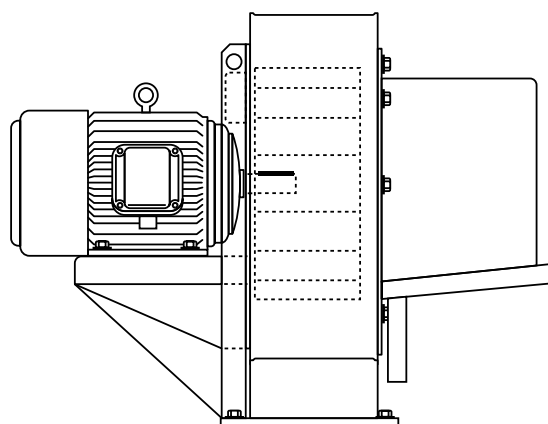
OR PRIMER ONLY  RED  GRAY



OFFSET FLANGE



ADAPTER FLANGE



24-HR Phone 713-675-2525 • E-Mail: parts@gulfelectroquip.com • www.gulfelectroquip.com



GULF ELECTROQUIP
ELECTRICAL MOTORS AND GENERATORS

**PARTS
COUNTER**