



**PB-31102-023A**  
Supersedes PB-31102-023

## **GE Renewal Parts**

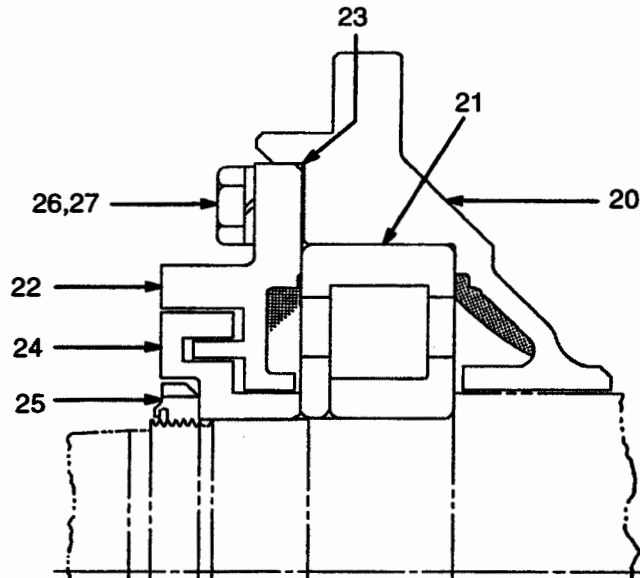
*Use original equipment parts for reliability*

**PARTS BULLETIN**

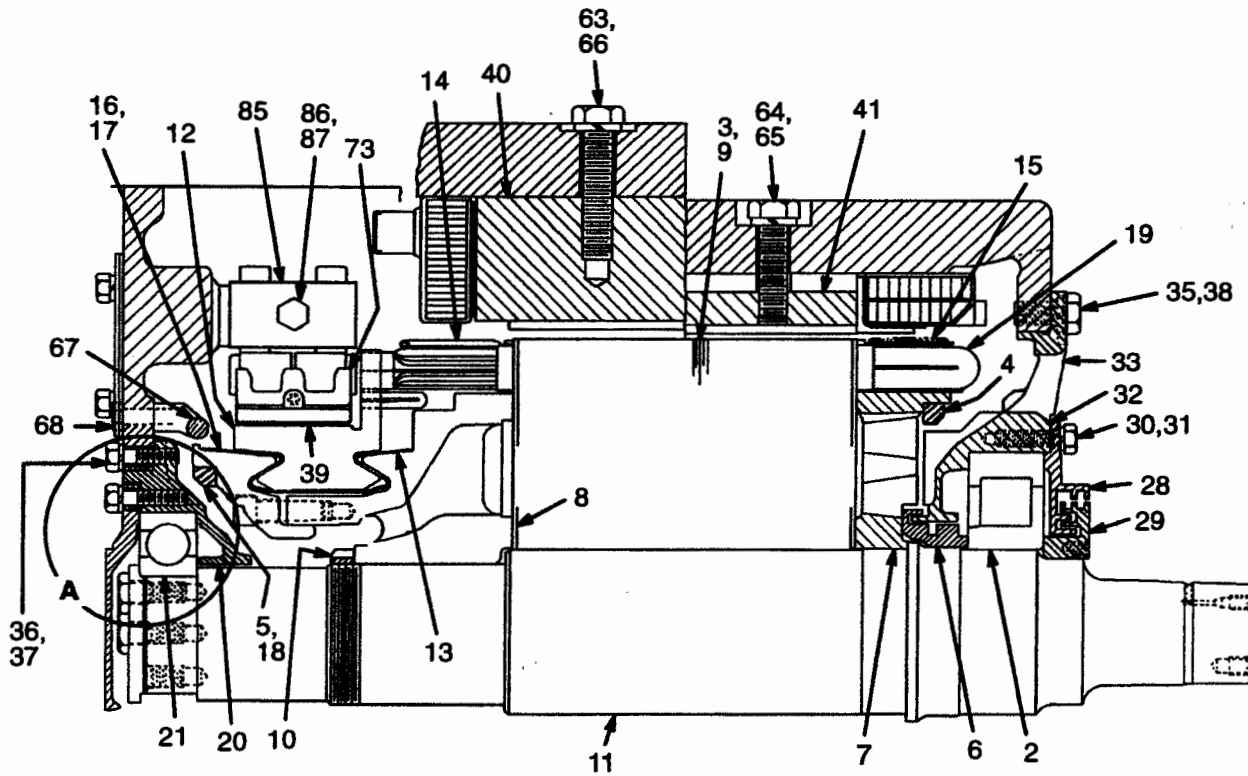
**MOTOR  
MODEL 5GE761J7**

JUNE 25, 1998

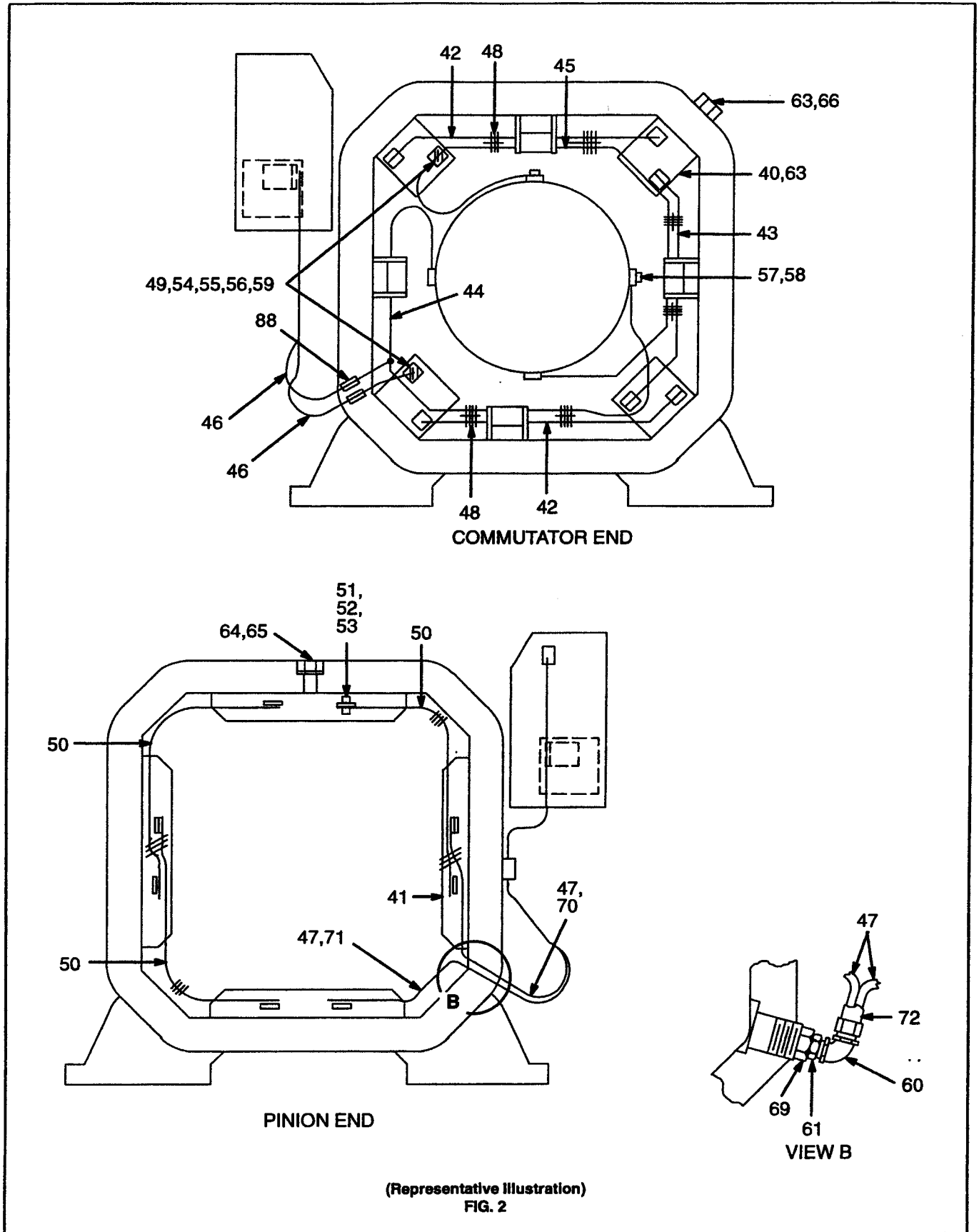
© Copyright 1998 General Electric Company. All rights reserved. This copyrighted document may be reproduced free of charge by General Electric Company customers, if such reproduction is used exclusively in connection with equipment used in that customer's internal operation.

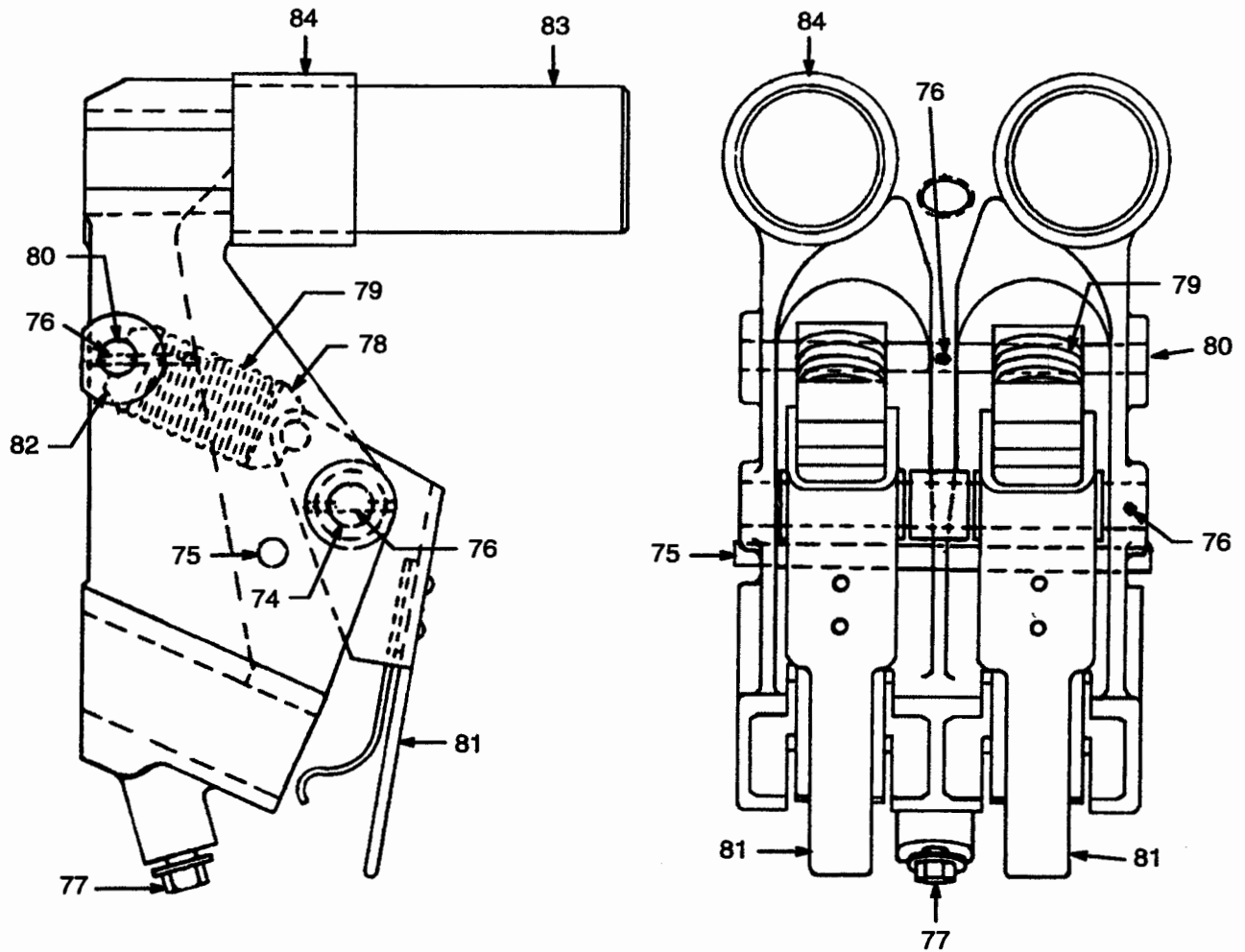


VIEW A



Ref. 1  
(Representative Illustration)  
FIG. 1





Ref. 73  
(Representative Illustration)  
Fig. 3

FIG. NO.	REF. NO.	PART NO.	QUANT REQ. COL. A	DESCRIPTION
1	1	5GE761J7	1	MOTOR
1	2	8864951P148	1	ROLLER BEARING
1	3	41C630518G3	1	ARMATURE
1	4	2766829ADP43	AR	#BALANCE WEIGHT, 3/4 IN WIDE
1	5	2766829ADP14	AR	#BALANCE WEIGHT, 5/8 IN WIDE
1	6	41A231419P1	1	COLLAR
1	7	41C630398P1	1	ARMATURE HEAD
1	8	41B530027P1	2	END PUNCHING, 0.125 IN THICK
1	9	9949018P1	400	MAIN PUNCHING, 0.025 IN THICK
1	10	41A231420P1	1	NUT
1	11	41C630896G1	1	SHAFT
1	12	9949046G6	1	COMMUTATOR, SEASONED
1	13	41A239176P456	2	PERMAFIL PUTTY
1	14	41A239176P64	1	GLASS TAPE, 0.014 IN THICK, 3/4 IN WIDE
1	15	41A330208P10	AR	WIRE, 0.072 IN DIA
1	16	41B537080P2	1	=TEFLON BAND (CONTINUOUS)
1	17	41A239176P60	AR	GLASS TAPE, 0.010 IN THICK, 1/4 IN WIDE
1	18	2766829AGP1	AR	#BALANCE WEIGHT, 21/32 IN WIDE
1	19	41D731384G5	1	REWIND KIT, ARMATURE
1	20	8843512P1	1	BEARING HOUSING
1	21	8864951P106	1	ROLLER BEARING
1	22	41B531153P1	1	BEARING CAP
1	23	8819143P1	1	GASKET
1	24	41B531152P1	1	COLLAR
1	25	41A232244P1	1	NUT
1	26	N22P29020B13	8	BOLT, HEX HD, 1/2 IN-13, 1 1/4 IN LONG
1	27	N405P45B13	8	LOCKWASHER, 1/2 IN
1	28	41B530705P1	1	BEARING CAP
1	29	41A231426P1	1	RETAINING COLLAR
1	30	N22P29020B13	6	BOLT, HEX HD, 1/2 IN-13, 1 1/4 IN LONG
1	31	N405P45B13	6	LOCKWASHER, 1/2 IN
1	32	8819142P1	1	GASKET, 12 7/8 IN DIA
1	33	41C630886P1	1	FRAME HEAD
		N22P29014B13	4	BOLT, HEX HD, 1/2 IN-13, 7/8 IN LONG
1	35	8808885P1	4	BOLT, HEX HD, 3/4 IN-10, 1 1/2 IN LONG
1	36	N22P29028B13	8	BOLT, HEX HD, 1/2 IN-13, 1 3/4 IN LONG
1	37	N405P45B13	12	LOCKWASHER, 1/2 IN
1	38	N405P48B13	4	LOCKWASHER, 3/4 IN
1	39	41A238548P1	8	CARBON BRUSH
1,2	40	8843549G4	4	COIL WITH POLE PIECE, COMMUTATING
1,2	41	41D730556G2	4	COIL WITH POLE PIECE, EXCITING FIELD

# WELD OR BRAZE IN POSITION.

=ADDITIONAL MATERIAL IS REQUIRED TO INSTALL THE CONTINUOUS LOOP TEFLON BAND AT ASSEMBLY. SEE APPLICATION INSTRUCTIONS, GEK-76278.

FIG. NO.	REF. NO.	PART NO.	QUANT REQ. COL. A	DESCRIPTION
2	42	9949030G1	4	CONNECTION STRAP
2	43	9949030G2	1	CONNECTION STRAP
2	44	9949069G5	1	CABLE ASSEMBLY
2	45	41B537417G2	1	CABLE ASSEMBLY
2	46	41B539176G2	2	CABLE ASSEMBLY
2	47	41B539176G1	2	CABLE ASSEMBLY
2	48	41A231248P1	4	PAD, 7/32 IN, 7/8 IN, 1 1/2 IN
2	49	41A238861P1	6	PAD, INSULATION, 0.060 IN THICK
2	50	41B531137G1	3	CABLE ASSEMBLY
2	51	N22P21008B13	8	BOLT, HEX HD, 1/4 IN-20, 1/2 IN LONG
2	52	8809650P1	8	WASHER, CONCAVE, 1/4 IN, SPR STL
2	53	N203P21B13	8	NUT, HEX, 1/4 IN-20
2	54	41A231281P33	9	BRAZING STRIP, 0.010 IN THK, 3/4 IN WIDE, 3/4 IN LG
2	55	41A239176P443	AR	SILASTIC PUTTY
2	56	41A239176P50	AR	TAPE, POLYESTER AND GLASS CLOTH, 0.010 IN THK
2	57	N22P29016B13	4	BOLT, HEX HD, 1/2 IN-13, 1 IN LONG
2	58	N405P45B13	4	LOCKWASHER, 1/2 IN
2	59	41A239176P487	AR	VARNISH
2	60	499A918ACP3	1	ELBOW, 90 DEGREE, 3/4 IN CONDUIT
2	61	499A918BAP3	1	LOCKNUT, 3/4 IN CONDUIT
2	62	9961563P1	8	SPOOL FLANGE
1,2	63	41A238308P1	8	BOLT, HEX HD, 7/8 IN-9
1,2	64	N22P37048	8	BOLT, HEX HD, 7/8 IN-9, 3 IN LONG
1,2	65	N405P49B13	8	LOCKWASHER, 7/8 IN
1,2	66	41B537660P19	8	WASHER, FLAT, 0.968 IN ID, 1.750 IN OD
1	67	41A231453G1	1	FLASH RING
1	68	N22P29020B13	6	BOLT, HEX HD, 1/2 IN-13, 1 1/4 IN LONG
2	69	41A210359P12	1	*REDUCING BUSHING, 1 1/2 IN TO 3/4 IN
1	70	41A237352P2	1	CABLE MARKER (MARKED F1)
1	71	41A237352P3	1	CABLE MARKER (MARKED F2)
2	72	155B9914ABP56	1	FLEXIBLE CONDUIT, 3/4 IN OD, 7 IN LONG
1,3	73	41C637788G1	4	BRUSHHOLDER
3	74	41A231378P5	4	HINGE PIN, 3/8 IN DIA, 3 1/2 IN LONG
3	75	N509P2556	4	PIN, 1/4 IN DIA, 3 1/2 IN LONG
3	76	N509P1312	24	PIN, SPRING DOWEL, 1/8 IN DIA, 3/4 IN LONG
3	77	41A231439P4	4	*BOLT WITH WASHER, 1/4 IN-20, 7/8 IN LONG
3	78	41A330248P1	8	SPRING SEAT
3	79	41A238759P1	8	SPRING
3	80	41A233880P5	4	HINGE PIN, 5/16 IN DIA, 3 1/2 IN LONG
3	81	41B532884G3	8	PRESSURE ARM
3	82	41A233867G5	8	SPRING SEAT WITH PIN
3	83	41B535754G41	8	BRUSH HOLDER STUD, MOLDED (0.002 IN OVERSIZE)

\* ADDED OR CHANGED SINCE LAST ISSUE.

FIG. NO.	REF. NO.	PART NO.	QUANT REQ. COL. A	DESCRIPTION
3	84	41A232340P3	8	SLEEVE
1	85	8828693P3	4	SUPPORT, BRUSH HOLDER
1	86	N170P35052	4	BOLT, HEX SOC HD, 3/4 IN-10, 3 1/4 IN LONG
1	87	41B537660P16	4	WASHER, FLAT, 0.850 IN ID, 1.375 IN OD
1	88	481A539P37	2	*CABLE BUSHING, 1 IN ID, 1 29/32 IN OD, 2 1/8 IN
		41A232221G1	1	COVER, 8 9/16 IN X 11 7/8 IN LONG, INSPECTION
		41A239176P318	AR	GASKET, PRE-COATED FELT, 0.250 IN THK
		41A232214P1	1	COVER, 9 3/4 IN LONG, HAND HOLE
		41A238898G1	1	COVER, 11 1/4 IN LONG, BOTTOM INSPECTION
		41A239176P318	AR	GASKET, PRE-COATED FELT, 0.250 IN THK

\* ADDED OR CHANGED SINCE LAST ISSUE.

- END OF PARTS BULLETIN -