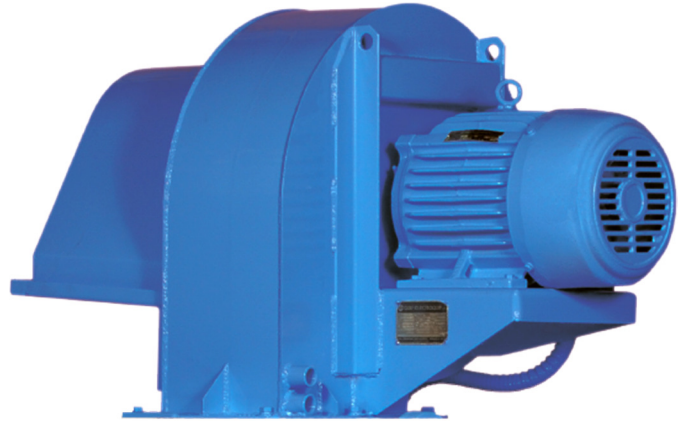


# 260465 GEQ TDS -11SA BLOWER

MOTOR IS A TENV 5HP 575 VAC 60 HZ 3600 RPM  
BLOWER ASSEMBLY IS PAINTED SAFETY YELLOW

## Quiet Clean™ Blowers

mechanically filter out sand, dirt, moisture and other abrasive contaminants for longer motor life. Utilizing the Quiet Clean™ cleaning technology these blowers lower the contamination inside the drilling motor, yielding greater reliability and longer time between rebuilds, which reduces downtime for the rig. Using a patented “element-less” filtration method, Quiet Clean blowers clean the air while providing the required cooling air for the drilling motor. This requires less maintenance than element filtration models, and no additional maintenance than a standard non-filtered blower.



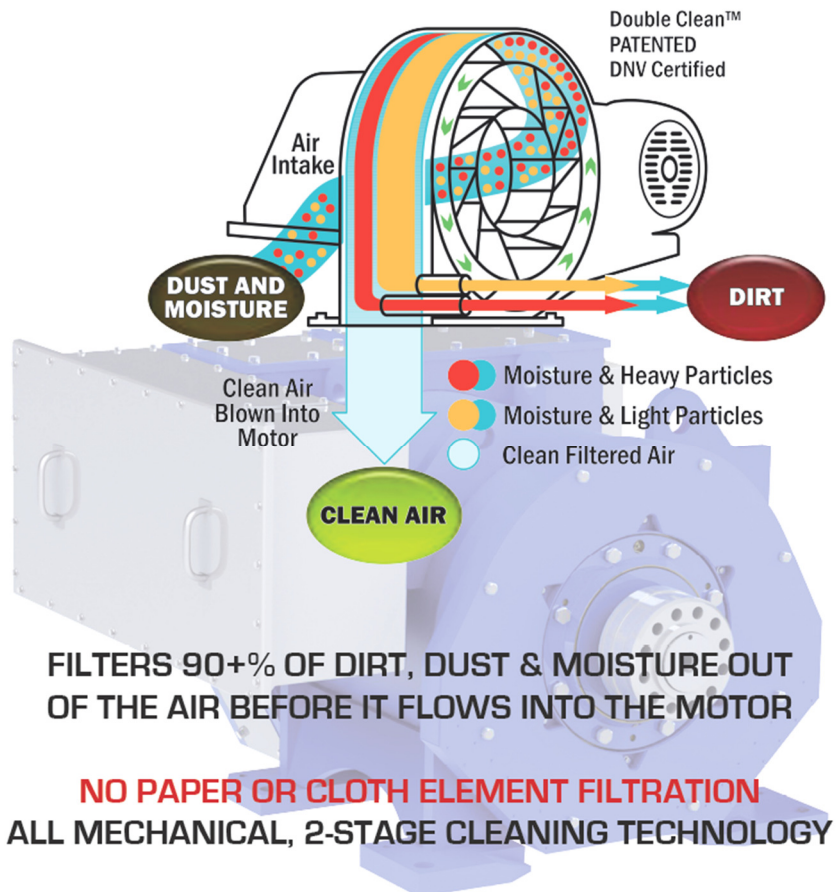
*Unit shown is a representation of the general blower construction. Actual unit may differ from the unit shown above.*

## ADVANTAGES

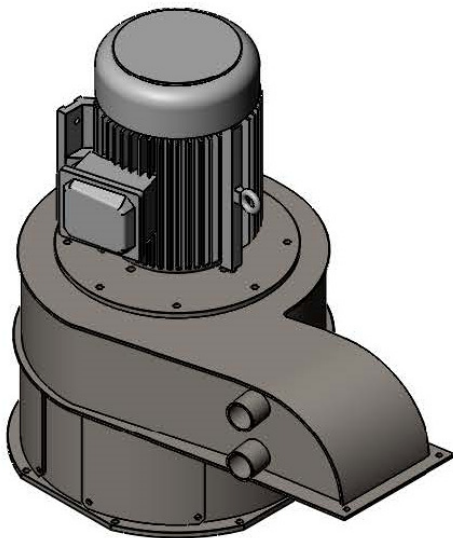
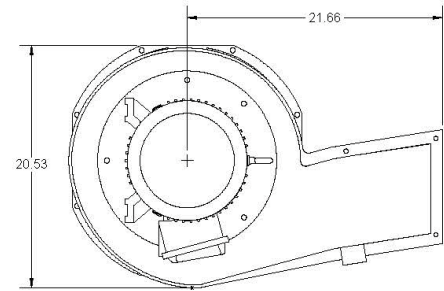
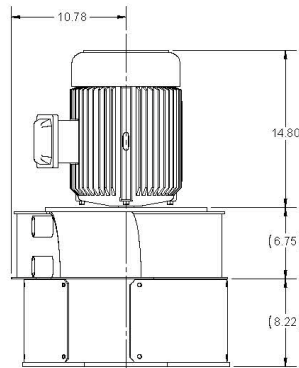
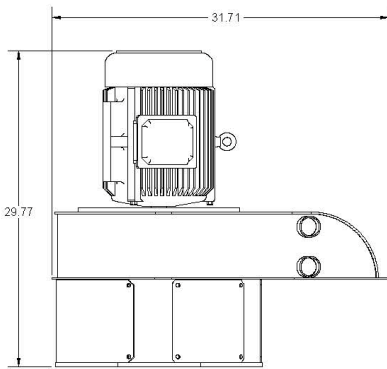
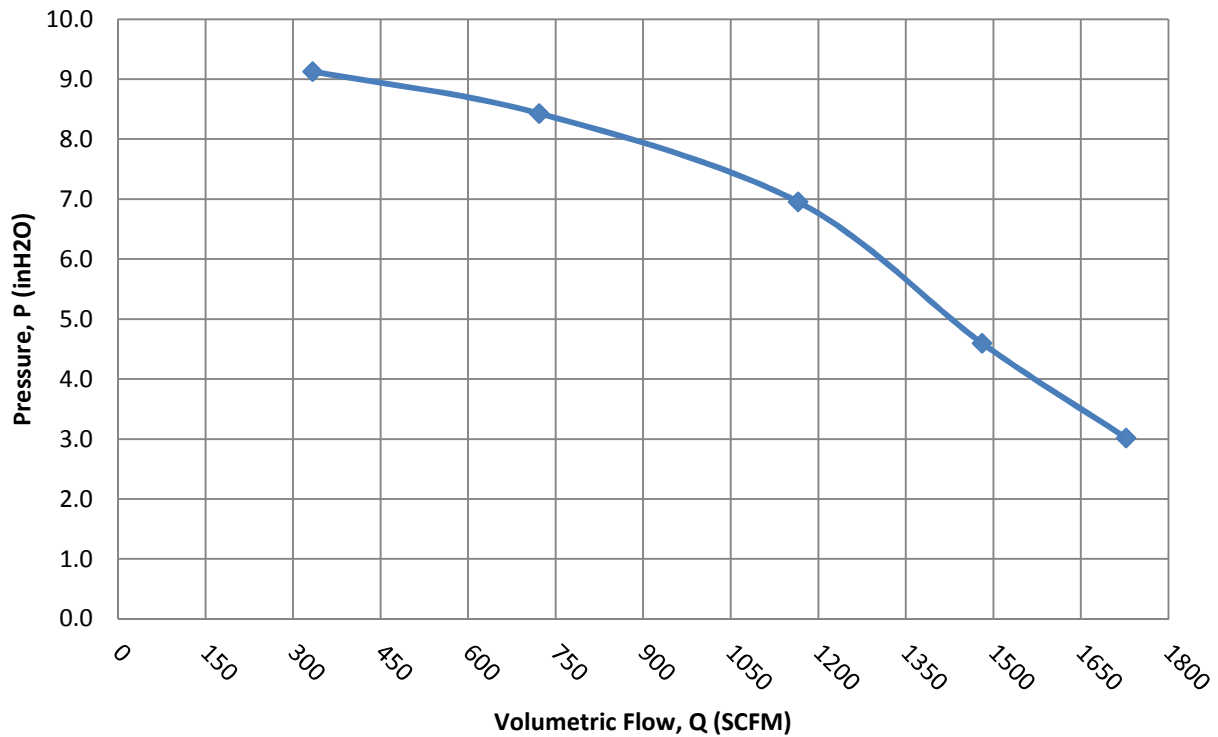
- Increased motor life
- Increased time between rebuilds
- Decreased moisture penetration
- Decreased contamination attacking insulation and windings
- Decreased commutator wear
- Less moisture in the motor produces:
  - Higher Megger readings
  - Decreased risk of flash over
  - 90% less contamination
- Less fuse change-outs
- Yields longer VFD/SCR lifetime
- Longer life between rebuilds
- Longer insulation life for motor

## SPECIFICATIONS AND CHARACTERISTICS

- Size: 5HP
- Filtration Method: Patented Quiet Clean™
- Filtration Efficiency: 90+% on sand
- Construction: carbon steel
- Alternate Mount version available
- Speed: 3600 RPM
- Motor: TENV 5 HP 575 Vac 60 Hz
- Enclosure: TENV/XP Cast Iron Construction
- Service Factor: 1.15



## 5 HP TDS-11 LHTM Blower Performance Data



Utilizing **PATENTED Double Clean™ Self-Clean Drilling Motor Blowers** - US Patent No. 6,648,935



**GULF ELECTROQUIP**  
ELECTRICAL MOTORS AND GENERATORS

425 North Wayside Drive, Houston, TX 77020 USA  
gulfelectroquip.com | sales@gulfelectroquip.com | 713.675.2525

*DISCLAIMER: Product specifications and availability are subject to change without notice. Statements in this website or digital publication PDFs are not intended to create any warranty - expressed or implied. Product trade names, marks or logos are the property of their respective owners. All photography and illustrations are copyrighted by Gulf Electroquip, 2014.*