



PB-31101-018D
Supersedes PB-31101-018C

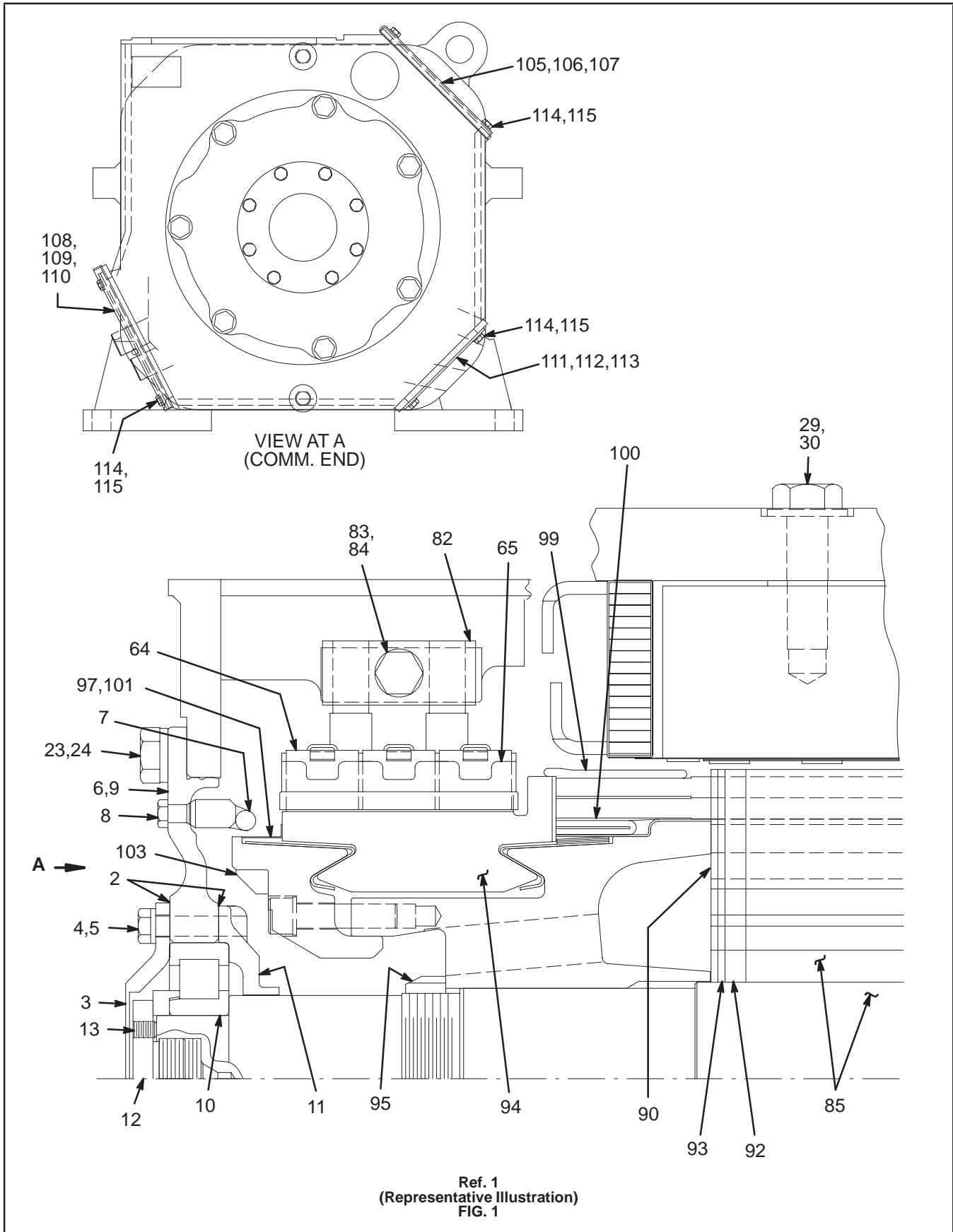
GE Renewal Parts

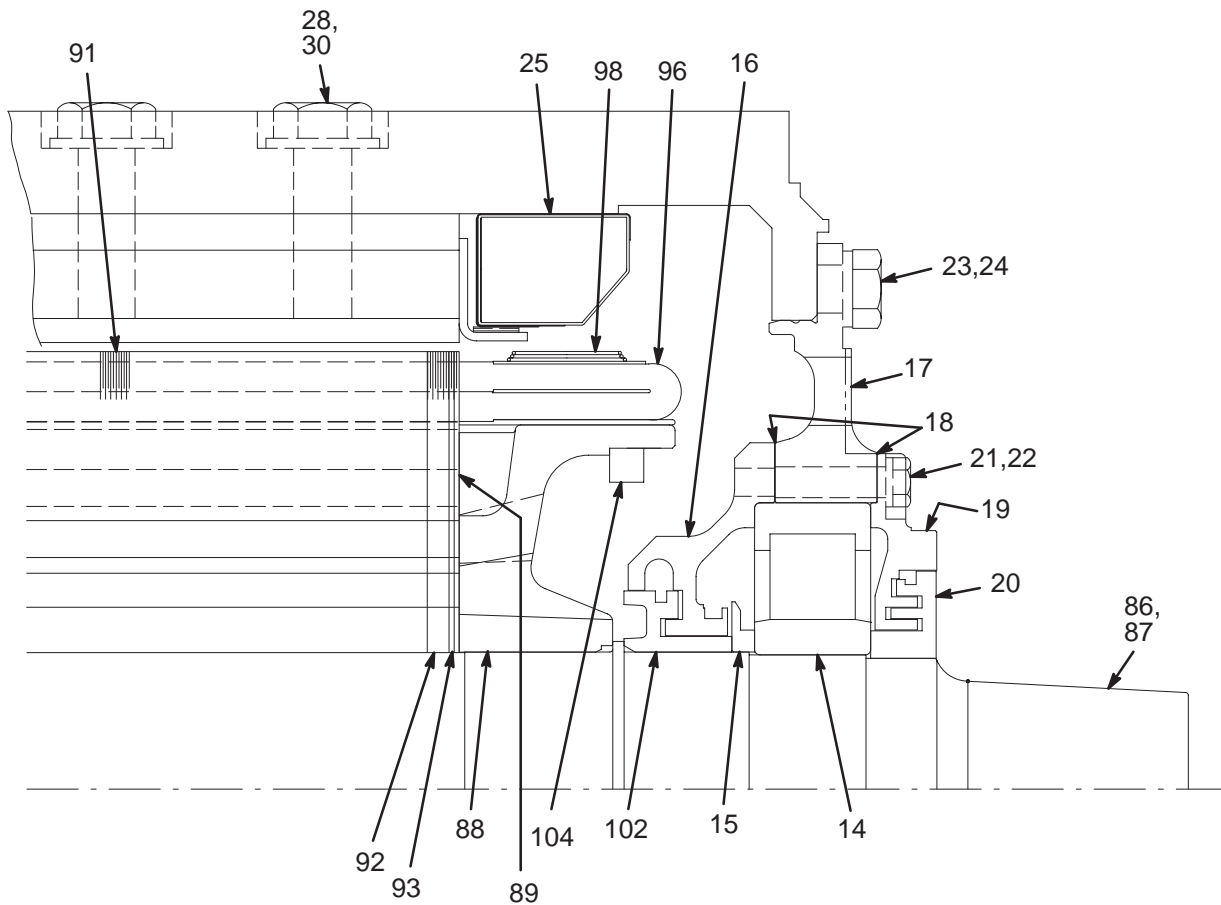
Use original equipment parts for reliability

PARTS BULLETIN

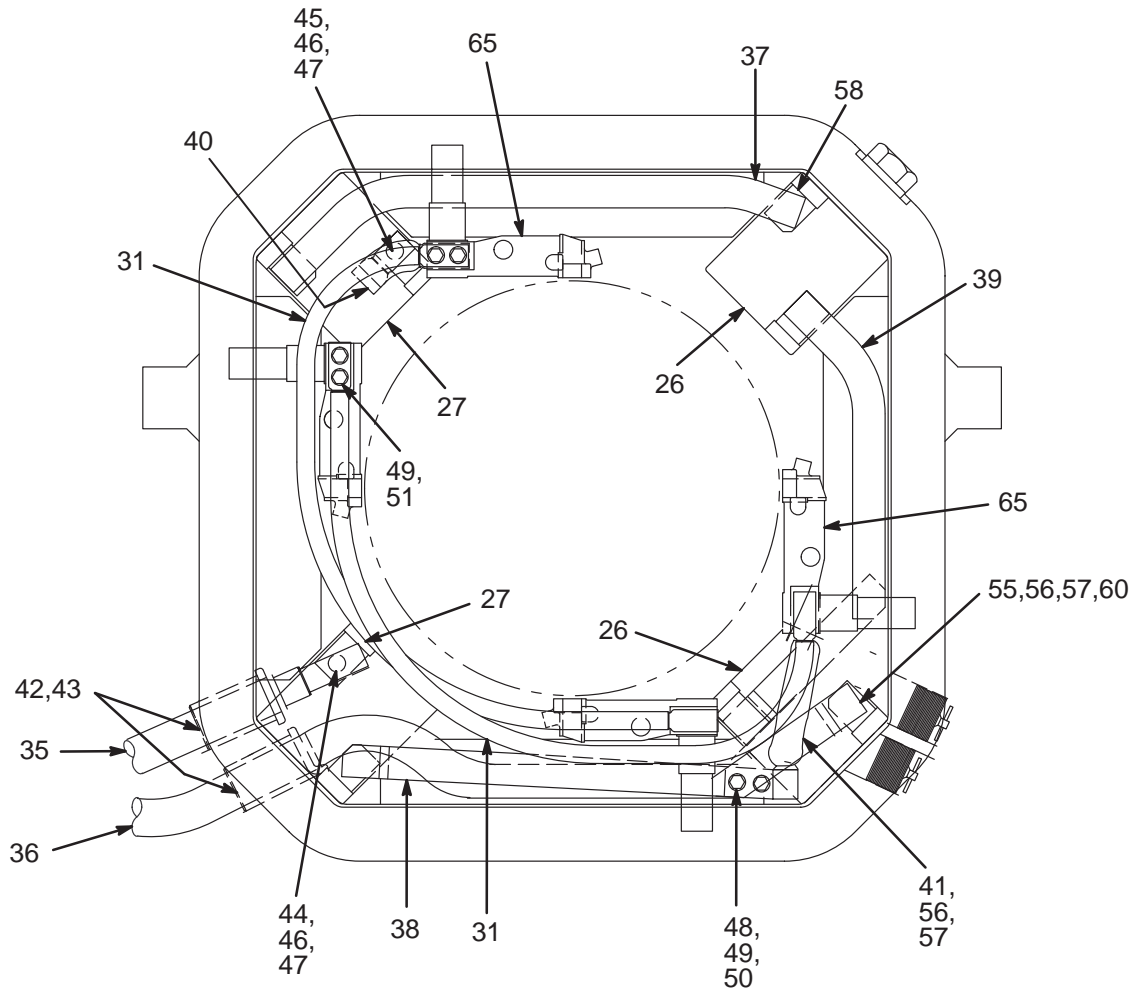
**DRILLING MOTOR
MODEL 5GE752RB1A**

SEPTEMBER 5, 1997



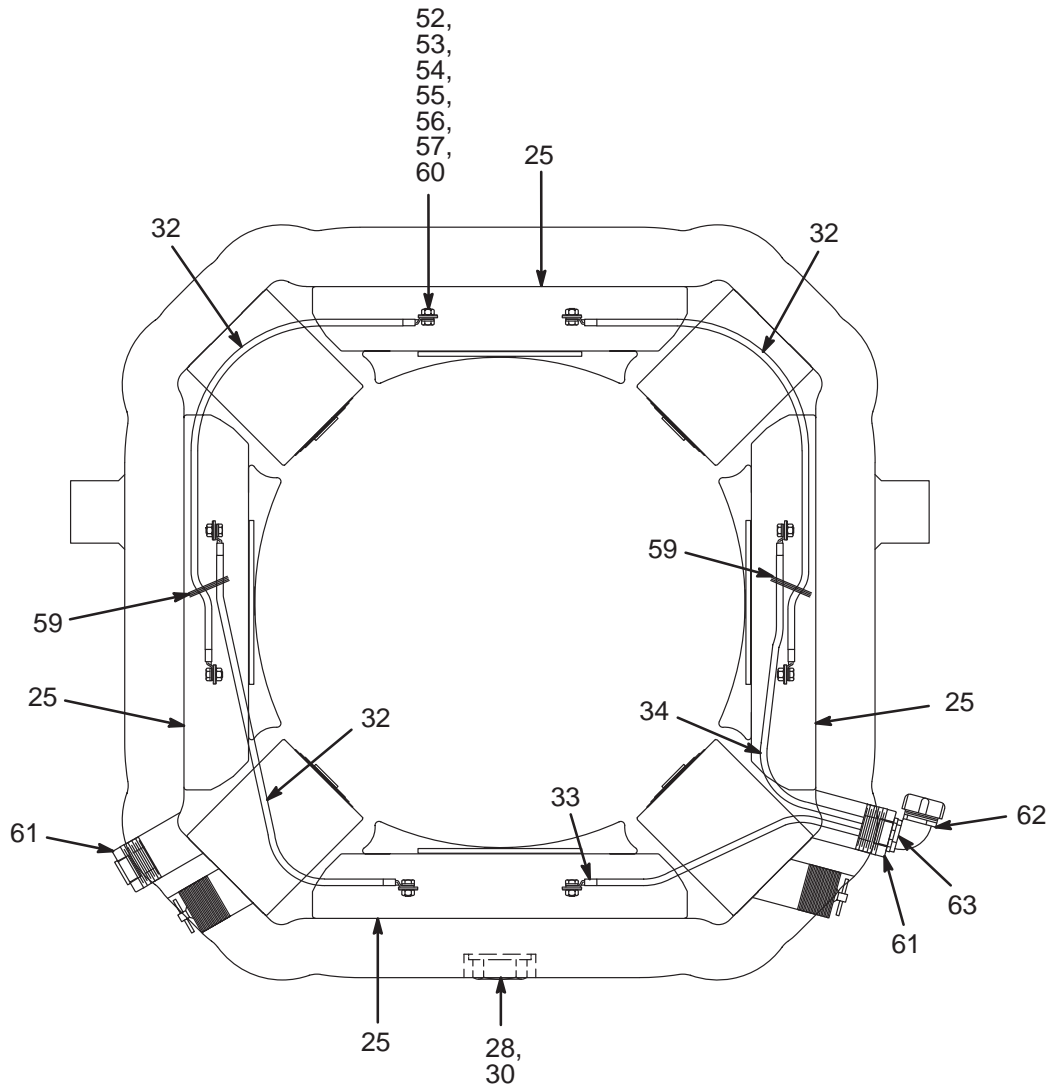


(Representative Illustration)
FIG. 1 (Cont'd.)



VIEW OF COMM. END

(Representative Illustration)
FIG. 2



VIEW OF PINION END

(Representative Illustration)
FIG. 2 (Cont'd.)

DRILLING MOTOR
MODEL 5GE752RB1A

PB-31101-018D
Supersedes PB-31101-018C

FIG. NO.	REF. NO.	PART NO.	QUANT REQ. COL. A	DESCRIPTION
1	1	5GE752RB1A	1	DRILLING MOTOR
1	2	4732368P1	2	GASKET, 0.021 IN THK
1	3	6739891P2	1	*BEARING CAP
1	4	N22P33048	8	BOLT, HEX HD, 5/8 IN-11, 3 IN LONG
1	5	41B537660P9	8	WASHER, FLAT, 0.725 IN ID, 1 IN OD
1	6	41C635865G2	1	*FRAME HEAD ASSEMBLY
1	7	481A560G1	1	FLASH RING
1	8	N22P29020B13	6	BOLT, HEX HD, 1/2 IN-13, 1 1/4 IN LONG
1	9	N509P2516	1	PIN, SPRING DOWEL, 1/4 IN DIA, 1 IN LONG
1	10	8864951P119	1	ROLLER BEARING
1	11	334B761P1	1	BEARING CAP
1	12	949X47	1	RETAINING NUT WITH SET SCREW
1	13	41A239107P1	2	SCREW, HEX SOC HD, 1/2 IN-13, 3/4 IN LONG
1	14	8864951P167	1	ROLLER BEARING
1	15	4713640P1	1	FLINGER
1	16	6744700P2	1	BEARING CAP, INNER
1	17	41C637314P1	1	FRAME HEAD
1	18	4732906P1	2	GASKET, 0.021 IN THICK
1	19	2739317P2	1	*BEARING CAP
1	20	4732351P1	1	SLEEVE
1	21	N22P33056	8	BOLT, HEX HD, 5/8 IN-11, 3 1/2 IN LONG
1	22	41B537660P9	8	WASHER, FLAT, 0.725 IN ID, 1 IN OD
1	23	N22P39032	11	BOLT, HEX HD, 1 IN-8, 2 IN LONG
1	24	41B537660P21	11	WASHER, FLAT, 1.063 IN ID, 2 IN OD
1,2	25	8855483G4	4	COIL WITH POLE PIECE, EXCITING
2	26	41C637285G7	2	COIL WITH POLE PIECE, COMMUTATING
2	27	41C637285G10	2	*COIL WITH POLE PIECE, COMMUTATING
1,2	28	N22P45060	12	BOLT, HEX HD, 1 1/4 IN-7, 3 3/4 IN LONG
1,2	29	41A239559P1	12	BOLT, HEX HD, 1 1/4 IN-12, 4 IN LONG
1,2	30	41B537660P22	24	WASHER, FLAT, 1.313 IN ID, 2.500 IN OD
2	31	41C636243G2	2	CABLE ASSEMBLY
2	32	8842961G1	3	CABLE ASSEMBLY
2	33	41B531137G10	1	CABLE ASSEMBLY
2	34	41B531137G7	1	CABLE ASSEMBLY
2	35	41D735504G3	1	CABLE ASSEMBLY
2	36	41D735504G5	1	CABLE ASSEMBLY
2	37	41C637261G1	1	CONNECTION STRAP, INSULATED
2	38	41C637261G5	1	CONNECTION STRAP, INSULATED
2	39	41C637261G2	1	CONNECTION STRAP, INSULATED
2	40	41D735504G7	1	SHUNT ASSEMBLY
2	41	41D735504G6	1	SHUNT ASSEMBLY
2	42	481A539P20	2	CABLE BUSHING, 1 1/2 IN ID, RUBBER

* ADDED OR CHANGED SINCE LAST ISSUE.

FIG. NO.	REF. NO.	PART NO.	QUANT REQ. COL. A	DESCRIPTION
2	43	41A216775P1	AR	SEALANT, 1/8 BY 3 3/4 IN, 10 FT ROLL
2	44	N22P33028	1	BOLT, HEX HD, 5/8 IN-11, 1 3/4 IN LONG
2	45	N22P33024	1	BOLT, HEX HD, 5/8 IN-11, 1 1/2 IN LONG
2	46	N405P47B13	2	LOCKWASHER, 5/8 IN
2	47	N213P33	2	NUT, HEX, JAM, 5/8 IN-11
2	48	N22P27028B13	2	BOLT, HEX HD, 7/16 IN-14, 1 3/4 IN LONG
2	49	N405P44B13	12	LOCKWASHER, 7/16 IN
2	50	4713845P1	1	BOLTING PLATE
2	51	N22P27020B13	10	BOLT, HEX HD, 7/16 IN-14, 1 1/4 IN LONG
2	52	41A230733P4	8	BOLT W/WASHER, SL HX HD, 1/4 IN-20, 1/2 IN LONG
2	53	8809650P1	8	WASHER, CONCAVE, 1/4 IN, SPR STL
2	54	N203P21B13	8	NUT, HEX, 1/4 IN-20
2	55	41A239176P443	AR	SILASTIC PUTTY
2	56	41A239176P133	AR	*SILICONE TAPE, 0.015 IN THICK, 1 IN WIDE
2	57	41A239176P18	AR	*TAPE, MICA, 0.005 IN THK, 0.750 IN WIDE
2	58	41A231281P47	7	BRAZING STRIP
2	59	41A239176P399	AR	CORD, 0.073 IN DIA, LINEN
2	60	41A239176P487	AR	*VARNISH
2	61	41A210359P12	2	REDUCING BUSHING, 1 1/2 IN TO 3/4 IN
2	62	499A918ACP3	1	ELBOW, 90 DEGREE, 3/4 IN CONDUIT
2	63	41A306142P2	1	LOCKNUT, 3/4 IN
1	64	41B537963P1	12	CARBON BRUSH
1,2,3	65	41C632667G6	4	BRUSH HOLDER ASSEMBLY
3	66	41B530659G2	12	PRESSURE ARM
3	67	41A231370P2	12	BUSHING, 1.063 IN LONG
3	68	186V831P1	8	SLEEVE
3	69	41A231378P2	4	PIN, 3/8 IN DIA, 6 5/8 IN LONG
3	70	N509P2548	8	PIN, SPRING DOWEL, 1/4 IN DIA, 3 IN LONG
3	71	N509P912	8	PIN, SPRING DOWEL, 3/32 IN DIA, 3/4 IN LONG
3	72	41A230733P7	8	BOLT W/WASHERS, HEX HD SL, 5/16 IN-18, 3/4 IN LONG
3	73	41A231370P6	16	BUSHING, 0.575 IN LONG
3	74	41A330248P1	12	SPRING SEAT
3	75	41A233867G4	12	SPRING SEAT WITH PIN
3	76	41B537844G1	12	SPRING SET ASSEMBLY
3	77	41A233880P1	4	PIN, 7 7/16 IN LONG
3	78	41B535754G28	8	BRUSH HOLDER STUD, MOLDED (0.002 IN OVERSIZE)
3	79	41B535754G29	8	BRUSH HOLDER STUD, MOLDED (0.004 IN OVERSIZE)
3	80	41B535754G30	8	BRUSH HOLDER STUD, MOLDED (0.006 IN OVERSIZE)
3	81	41B535754G31	8	BRUSH HOLDER STUD, MOLDED (0.008 IN OVERSIZE)
1	82	2733755P7	4	BRUSH HOLDER SUPPORT CLAMP
1	83	N22P37052	4	BOLT, HEX HD, 7/8 IN-9, 3 1/4 IN LONG
1	84	41B537660P25	4	WASHER, FLAT, 0.968 IN ID, 1.375 IN OD

* ADDED OR CHANGED SINCE LAST ISSUE.

DRILLING MOTOR
MODEL 5GE752RB1A

PB-31101-018D
Supersedes PB-31101-018C

FIG. NO.	REF. NO.	PART NO.	QUANT REQ. COL. A	DESCRIPTION
1	85	41D735773G1	1	ARMATURE ASSEMBLY
1	86	41C636928G1	1	SHAFT WITH PLUG
1	87	84A204808P1	2	SET SCREW, HEX SOC HD, 3/8 IN-24, SELF-LOCK
1	88	41B537605P4	1	*ARMATURE HEAD
1	89	41A239323G1	1	PUNCHING, END
1	90	41A330418G1	1	PUNCHING, END
1	91	41B537164P1	553	PUNCHING, MAIN
1	92	41B537165P1	26	PUNCHING, STEP BACK
1	93	41B537165P2	14	PUNCHING, STEP BACK
1	94	41B537889G2	1	COMMUTATOR, SEASONED
1	95	189V584P1	1	NUT
1	96	41D735370G5	1	ARMATURE REWIND KIT
1	97	41B537080P1	1	=TEFLON BAND (CONTINUOUS)
1	98	41A330208P10	AR	WIRE, 0.072 IN DIA
1	99	41A239176P64	AR	GLASS TAPE, 0.014 IN THICK, 3/4 IN WIDE
1	100	41A239176P62	AR	GLASS TAPE, 0.014 IN THICK, 3/8 IN WIDE
1	101	41A239176P60	AR	*GLASS TAPE, 0.010 IN THICK, 1/4 IN WIDE
1	102	41A232821P1	1	SLEEVE
1	103	2766829ADP24	AR	#BALANCE WEIGHT, 13 IN OD
1	104	2766829ADP26	AR	#BALANCE WEIGHT, 14 3/4 IN OD
1	105	41C636513G1	1	*INSPECTION COVER, UPPER
1	106	41A239176P334	AR	*GASKET, 1/4 IN THK
1	107	497A806P12	AR	CEMENT
1	108	41D732878G4	1	*INSPECTION COVER, LOWER
1	109	41A239176P334	AR	*GASKET, 1/4 IN THK
1	110	497A806P12	AR	CEMENT
1	111	41A239914G1	1	*INSPECTION COVER, HAND HOLE
1	112	41A239176P334	AR	*GASKET, 1/4 IN THK
1	113	497A806P12	AR	CEMENT
1	114	N22P29016B13	12	*BOLT, HEX HD, 1/2 IN-13, 1 IN LONG
1	115	N405P45B13	12	*LOCKWASHER, 1/2 IN
		493A471P1	1	*HUB, 9.120 IN OD, POWER TAKE-OFF

* ADDED OR CHANGED SINCE LAST ISSUE.

WELD OR BRAZE IN POSITION.

= ADDITIONAL MATERIAL IS REQUIRED TO INSTALL THE CONTINUOUS LOOP TEFLON BAND. SEE APPLICATION INSTRUCTIONS, GEK-76278.

— END OF PARTS BULLETIN —

PB-31101-018D
Supersedes PB-31101-018C

DRILLING MOTOR
MODEL 5GE752RB1A
