



**PB-31101-020B**  
Supersedes PB-31101-020A

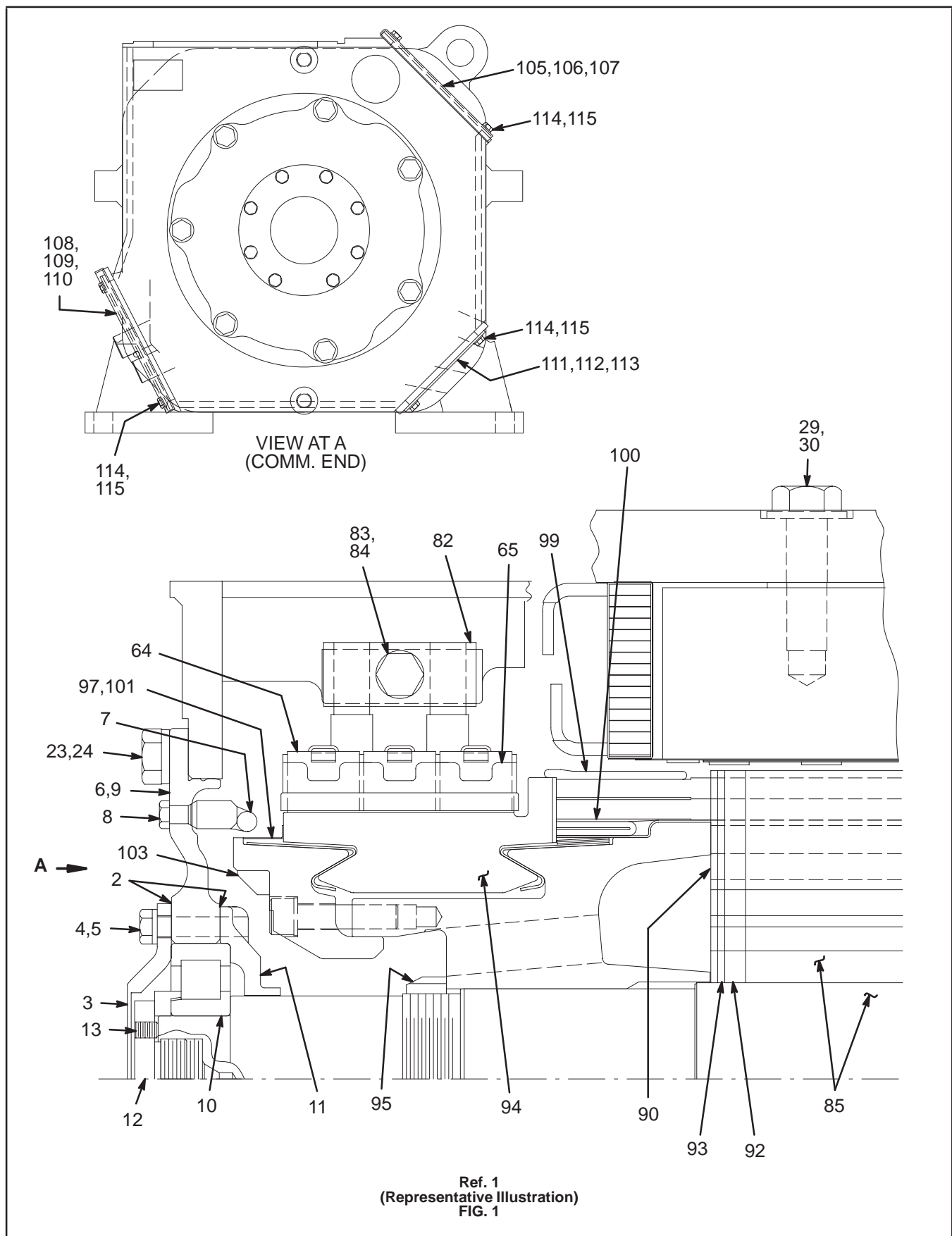
## **GE Renewal Parts**

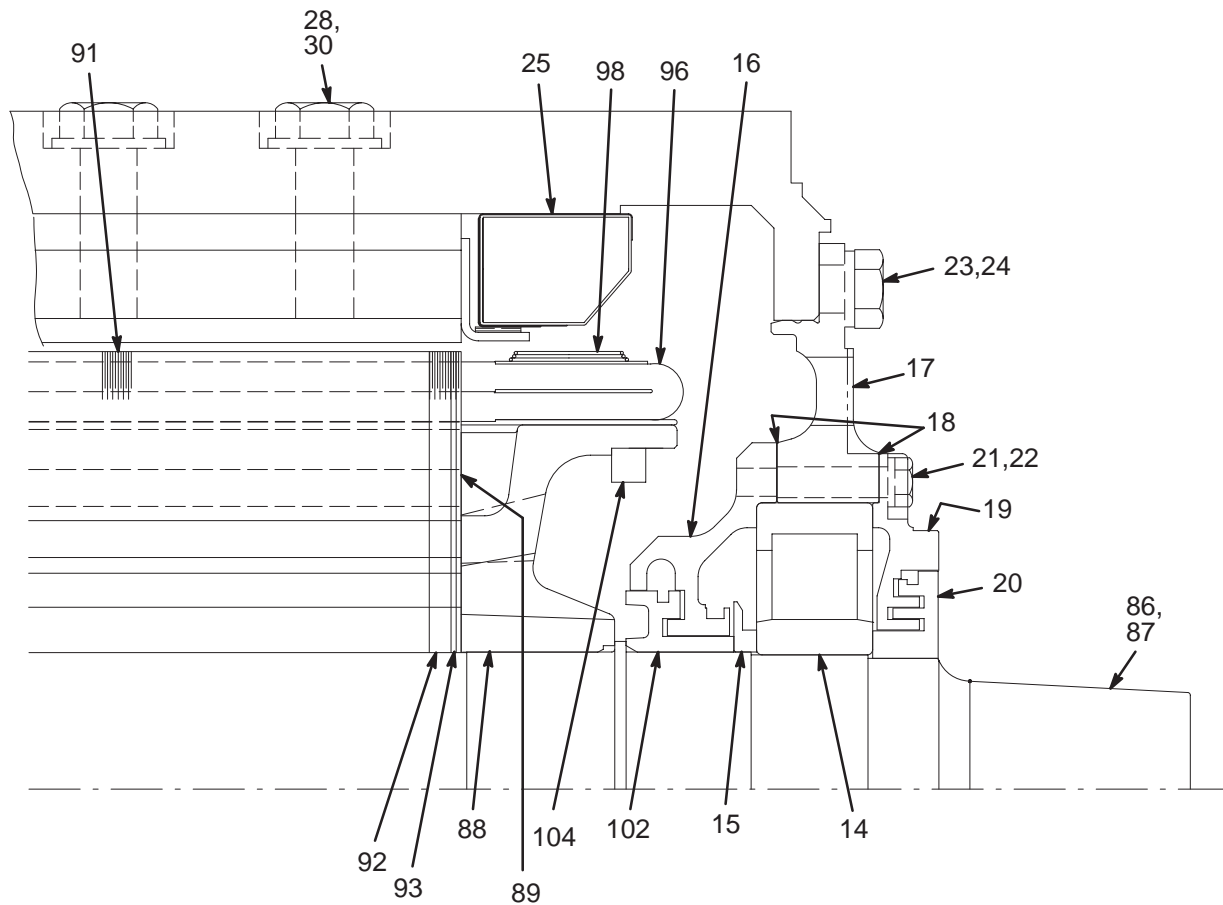
*Use original equipment parts for reliability*

**PARTS BULLETIN**

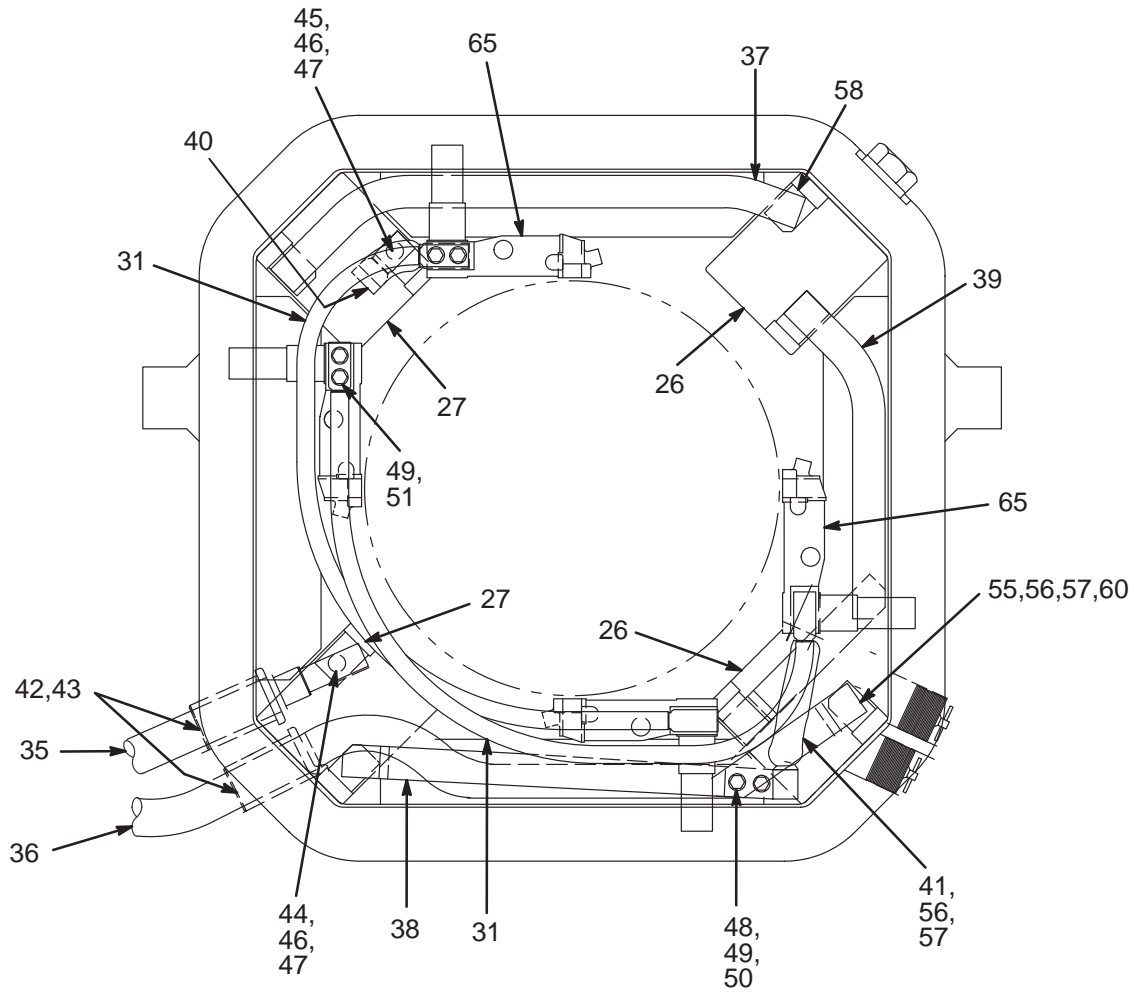
**DRILLING MOTOR  
MODEL 5GE752RB2A**

SEPTEMBER 5, 1997



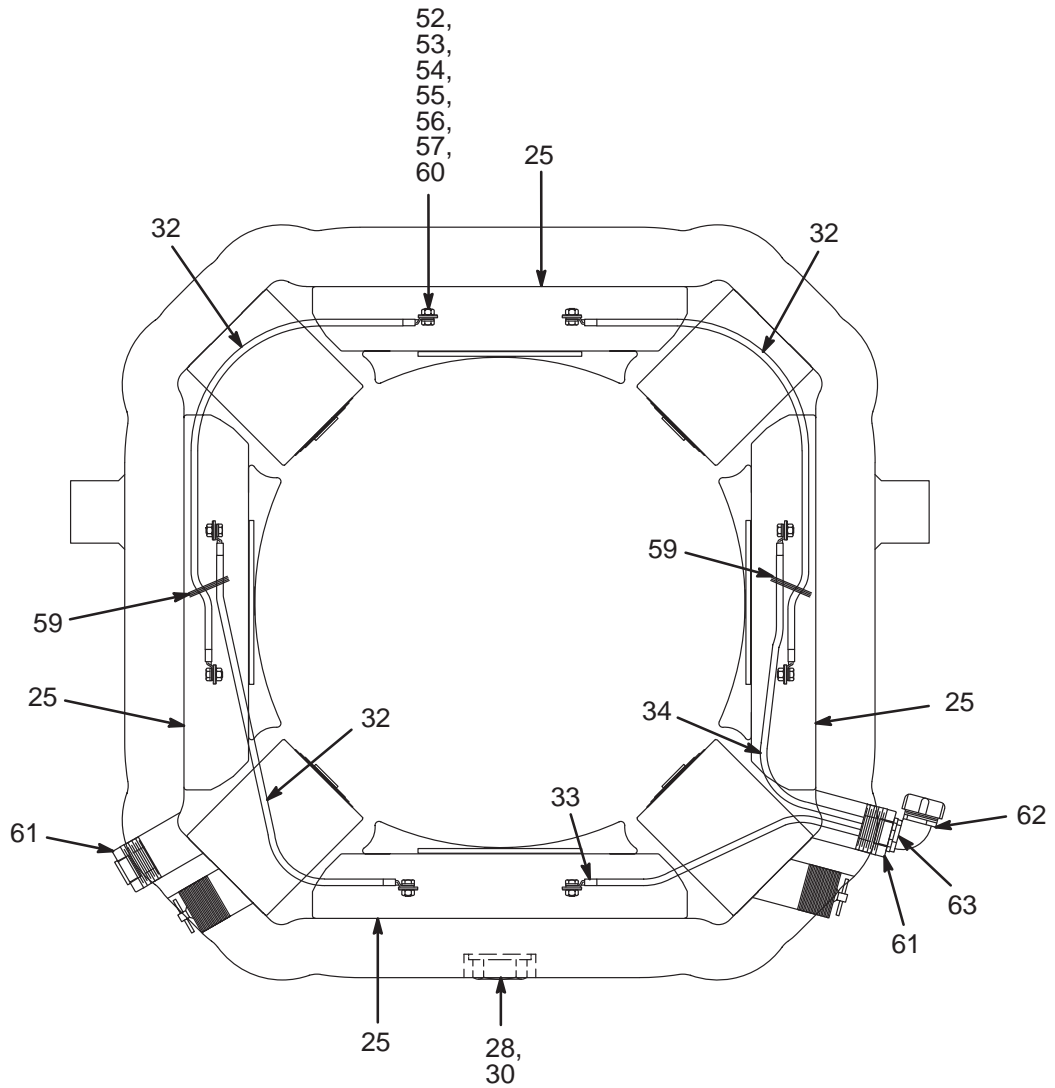


(Representative Illustration)  
FIG. 1 (Cont'd.)



VIEW OF COMM. END

(Representative Illustration)  
FIG. 2



VIEW OF PINION END

(Representative Illustration)  
FIG. 2 (Cont'd.)



DRILLING MOTOR  
MODEL 5GE752RB2A

PB-31101-020B  
Supersedes PB-31101-020A

| FIG. NO. | REF. NO. | PART NO.     | QUANT REQ. COL. A | DESCRIPTION                               |
|----------|----------|--------------|-------------------|---|
| 1        | 1        | 5GE752RB2A   | 1                 | DRILLING MOTOR                            |
| 1        | 2        | 4732368P1    | 2                 | GASKET, 0.021 IN THK                      |
| 1        | 3        | 6739891P2    | 1                 | *BEARING CAP                              |
| 1        | 4        | N22P33048    | 8                 | BOLT, HEX HD, 5/8 IN-11, 3 IN LONG        |
| 1        | 5        | 41B537660P9  | 8                 | WASHER, FLAT, 0.725 IN ID, 1 IN OD        |
| 1        | 6        | 41C635865G2  | 1                 | *FRAME HEAD ASSEMBLY                      |
| 1        | 7        | 481A560G1    | 1                 | FLASH RING                                |
| 1        | 8        | N22P29020B13 | 6                 | BOLT, HEX HD, 1/2 IN-13, 1 1/4 IN LONG    |
| 1        | 9        | N509P2516    | 1                 | PIN, SPRING DOWEL, 1/4 IN DIA, 1 IN LONG  |
| 1        | 10       | 8864951P119  | 1                 | ROLLER BEARING                            |
| 1        | 11       | 334B761P1    | 1                 | BEARING CAP                               |
| 1        | 12       | 949X47       | 1                 | RETAINING NUT WITH SET SCREW              |
| 1        | 13       | 41A239107P1  | 2                 | SCREW, HEX SOC HD, 1/2 IN-13, 3/4 IN LONG |
| 1        | 14       | 8864951P167  | 1                 | ROLLER BEARING                            |
| 1        | 15       | 4713640P1    | 1                 | FLINGER                                   |
| 1        | 16       | 6744700P2    | 1                 | BEARING CAP, INNER                        |
| 1        | 17       | 41C637314P1  | 1                 | FRAME HEAD                                |
| 1        | 18       | 4732906P1    | 2                 | GASKET, 0.021 IN THICK                    |
| 1        | 19       | 2739317P2    | 1                 | *BEARING CAP                              |
| 1        | 20       | 4732351P1    | 1                 | SLEEVE                                    |
| 1        | 21       | N22P33056    | 8                 | BOLT, HEX HD, 5/8 IN-11, 3 1/2 IN LONG    |
| 1        | 22       | 41B537660P9  | 8                 | WASHER, FLAT, 0.725 IN ID, 1 IN OD        |
| 1        | 23       | N22P39032    | 11                | BOLT, HEX HD, 1 IN-8, 2 IN LONG           |
| 1        | 24       | 41B537660P21 | 11                | WASHER, FLAT, 1.063 IN ID, 2 IN OD        |
| 1,2      | 25       | 8855483G4    | 4                 | COIL WITH POLE PIECE, EXCITING            |
| 2        | 26       | 41C637285G7  | 2                 | COIL WITH POLE PIECE, COMMUTATING         |
| 2        | 27       | 41C637285G10 | 2                 | *COIL WITH POLE PIECE, COMMUTATING        |
| 1,2      | 28       | N22P45060    | 12                | BOLT, HEX HD, 1 1/4 IN-7, 3 3/4 IN LONG   |
| 1,2      | 29       | 41A239559P1  | 12                | BOLT, HEX HD, 1 1/4 IN-12, 4 IN LONG      |
| 1,2      | 30       | 41B537660P22 | 24                | WASHER, FLAT, 1.313 IN ID, 2.500 IN OD    |
| 2        | 31       | 41C636243G2  | 2                 | CABLE ASSEMBLY                            |
| 2        | 32       | 8842961G1    | 3                 | CABLE ASSEMBLY                            |
| 2        | 33       | 41B531137G10 | 1                 | CABLE ASSEMBLY                            |
| 2        | 34       | 41B531137G7  | 1                 | CABLE ASSEMBLY                            |
| 2        | 35       | 41D735504G3  | 1                 | CABLE ASSEMBLY                            |
| 2        | 36       | 41D735504G5  | 1                 | CABLE ASSEMBLY                            |
| 2        | 37       | 41C637261G1  | 1                 | CONNECTION STRAP, INSULATED               |
| 2        | 38       | 41C637261G5  | 1                 | CONNECTION STRAP, INSULATED               |
| 2        | 39       | 41C637261G2  | 1                 | CONNECTION STRAP, INSULATED               |
| 2        | 40       | 41D735504G7  | 1                 | SHUNT ASSEMBLY                            |
| 2        | 41       | 41D735504G6  | 1                 | SHUNT ASSEMBLY                            |
| 2        | 42       | 481A539P20   | 2                 | CABLE BUSHING, 1 1/2 IN ID, RUBBER        |

\* ADDED OR CHANGED SINCE LAST ISSUE.

| FIG. NO. | REF. NO. | PART NO.      | QUANT REQ. COL. A | DESCRIPTION  |
|----------|----------|---------------|-------------------|--|
| 2        | 43       | 41A216775P1   | AR                | SEALANT, 1/8 BY 3 3/4 IN, 10 FT ROLL               |
| 2        | 44       | N22P33028     | 1                 | BOLT, HEX HD, 5/8 IN-11, 1 3/4 IN LONG             |
| 2        | 45       | N22P33024     | 1                 | BOLT, HEX HD, 5/8 IN-11, 1 1/2 IN LONG             |
| 2        | 46       | N405P47B13    | 2                 | LOCKWASHER, 5/8 IN                                 |
| 2        | 47       | N213P33       | 2                 | NUT, HEX, JAM, 5/8 IN-11                           |
| 2        | 48       | N22P27028B13  | 2                 | BOLT, HEX HD, 7/16 IN-14, 1 3/4 IN LONG            |
| 2        | 49       | N405P44B13    | 12                | LOCKWASHER, 7/16 IN                                |
| 2        | 50       | 4713845P1     | 1                 | BOLTING PLATE                                      |
| 2        | 51       | N22P27020B13  | 10                | BOLT, HEX HD, 7/16 IN-14, 1 1/4 IN LONG            |
| 2        | 52       | 41A230733P4   | 8                 | BOLT W/WASHER, SL HX HD, 1/4 IN-20, 1/2 IN LONG    |
| 2        | 53       | 8809650P1     | 8                 | WASHER, CONCAVE, 1/4 IN, SPR STL                   |
| 2        | 54       | N203P21B13    | 8                 | NUT, HEX, 1/4 IN-20                                |
| 2        | 55       | 41A239176P443 | AR                | SILASTIC PUTTY                                     |
| 2        | 56       | 41A239176P133 | AR                | *SILICONE TAPE, 0.015 IN THICK, 1 IN WIDE          |
| 2        | 57       | 41A239176P18  | AR                | *TAPE, MICA, 0.005 IN THK, 0.750 IN WIDE           |
| 2        | 58       | 41A231281P47  | 7                 | BRAZING STRIP                                      |
| 2        | 59       | 41A239176P399 | AR                | CORD, 0.073 IN DIA, LINEN                          |
| 2        | 60       | 41A239176P487 | AR                | *VARNISH   |
| 2        | 61       | 41A210359P12  | 2                 | REDUCING BUSHING, 1 1/2 IN TO 3/4 IN               |
| 2        | 62       | 499A918ACP3   | 1                 | ELBOW, 90 DEGREE, 3/4 IN CONDUIT                   |
| 2        | 63       | 41A306142P2   | 1                 | LOCKNUT, 3/4 IN                                    |
| 1        | 64       | 41B537963P1   | 12                | CARBON BRUSH                                       |
| 1,2,3    | 65       | 41C632667G6   | 4                 | BRUSH HOLDER ASSEMBLY                              |
| 3        | 66       | 41B530659G2   | 12                | PRESSURE ARM                                       |
| 3        | 67       | 41A231370P2   | 12                | BUSHING, 1.063 IN LONG                             |
| 3        | 68       | 186V831P1     | 8                 | SLEEVE   |
| 3        | 69       | 41A231378P2   | 4                 | PIN, 3/8 IN DIA, 6 5/8 IN LONG                     |
| 3        | 70       | N509P2548     | 8                 | PIN, SPRING DOWEL, 1/4 IN DIA, 3 IN LONG           |
| 3        | 71       | N509P912      | 8                 | PIN, SPRING DOWEL, 3/32 IN DIA, 3/4 IN LONG        |
| 3        | 72       | 41A230733P7   | 8                 | BOLT W/WASHERS, HEX HD SL, 5/16 IN-18, 3/4 IN LONG |
| 3        | 73       | 41A231370P6   | 16                | BUSHING, 0.575 IN LONG                             |
| 3        | 74       | 41A330248P1   | 12                | SPRING SEAT  |
| 3        | 75       | 41A233867G4   | 12                | SPRING SEAT WITH PIN                               |
| 3        | 76       | 41B537844G1   | 12                | SPRING SET ASSEMBLY                                |
| 3        | 77       | 41A233880P1   | 4                 | PIN, 7 7/16 IN LONG                                |
| 3        | 78       | 41B535754G28  | 8                 | BRUSH HOLDER STUD, MOLDED (0.002 IN OVERSIZE)      |
| 3        | 79       | 41B535754G29  | 8                 | BRUSH HOLDER STUD, MOLDED (0.004 IN OVERSIZE)      |
| 3        | 80       | 41B535754G30  | 8                 | BRUSH HOLDER STUD, MOLDED (0.006 IN OVERSIZE)      |
| 3        | 81       | 41B535754G31  | 8                 | BRUSH HOLDER STUD, MOLDED (0.008 IN OVERSIZE)      |
| 1        | 82       | 2733755P7     | 4                 | BRUSH HOLDER SUPPORT CLAMP                         |
| 1        | 83       | N22P37052     | 4                 | BOLT, HEX HD, 7/8 IN-9, 3 1/4 IN LONG              |
| 1        | 84       | 41B537660P25  | 4                 | WASHER, FLAT, 0.968 IN ID, 1.375 IN OD             |

\* ADDED OR CHANGED SINCE LAST ISSUE.



DRILLING MOTOR  
MODEL 5GE752RB2A

PB-31101-020B  
Supersedes PB-31101-020A

| FIG. NO. | REF. NO. | PART NO.      | QUANT REQ. COL. A | DESCRIPTION                                  |
|----------|----------|---------------|-------------------|--|
| 1        | 85       | 41D735773G1   | 1                 | ARMATURE ASSEMBLY                            |
| 1        | 86       | 41C636928G1   | 1                 | SHAFT WITH PLUG                              |
| 1        | 87       | 84A204808P1   | 2                 | SET SCREW, HEX SOC HD, 3/8 IN-24, SELF-LOCK  |
| 1        | 88       | 41B537605P4   | 1                 | *ARMATURE HEAD                               |
| 1        | 89       | 41A239323G1   | 1                 | PUNCHING, END                                |
| 1        | 90       | 41A330418G1   | 1                 | PUNCHING, END                                |
| 1        | 91       | 41B537164P1   | 553               | PUNCHING, MAIN                               |
| 1        | 92       | 41B537165P1   | 26                | PUNCHING, STEP BACK                          |
| 1        | 93       | 41B537165P2   | 14                | PUNCHING, STEP BACK                          |
| 1        | 94       | 41B537889G2   | 1                 | COMMUTATOR, SEASONED                         |
| 1        | 95       | 189V584P1     | 1                 | NUT  |
| 1        | 96       | 41D735370G5   | 1                 | ARMATURE REWIND KIT                          |
| 1        | 97       | 41B537080P1   | 1                 | =TEFLON BAND (CONTINUOUS)                    |
| 1        | 98       | 41A330208P10  | AR                | WIRE, 0.072 IN DIA                           |
| 1        | 99       | 41A239176P64  | AR                | GLASS TAPE, 0.014 IN THICK, 3/4 IN WIDE      |
| 1        | 100      | 41A239176P62  | AR                | GLASS TAPE, 0.014 IN THICK, 3/8 IN WIDE      |
| 1        | 101      | 41A239176P60  | AR                | *GLASS TAPE, 0.010 IN THICK, 1/4 IN WIDE     |
| 1        | 102      | 41A232821P1   | 1                 | SLEEVE                                       |
| 1        | 103      | 2766829ADP24  | AR                | #BALANCE WEIGHT, 13 IN OD                    |
| 1        | 104      | 2766829ADP26  | AR                | #BALANCE WEIGHT, 14 3/4 IN OD                |
| 1        | 105      | 41B537853G2   | 1                 | INSPECTION COVER, 9 1/2 IN X 12 1/2 IN       |
| 1        | 106      | 41B537853P4   | 1                 | GASKET, 9 1/2 IN X 12 1/2 IN, 1/8 IN THK     |
| 1        | 107      | 497A806P12    | AR                | CEMENT                                       |
| 1        | 108      | 41D732878G4   | 1                 | INSPECTION COVER, LOWER                      |
| 1        | 109      | 41A239176P334 | AR                | GASKET, 1/4 IN THK                           |
| 1        | 110      | 497A806P12    | AR                | CEMENT                                       |
| 1        | 111      | 41B537853G1   | 1                 | INSPECTION COVER, 9 1/2 IN SQUARE            |
| 1        | 112      | 41B537853P2   | 1                 | GASKET, 9 1/2 IN SQUARE, 1/8 IN THK          |
| 1        | 113      | 497A806P12    | AR                | CEMENT                                       |
| 1        | 114      | N14P29020B13  | 12                | BOLT, HEX HD, 1/2 IN-13, 1 1/4 IN LONG, GR 8 |
| 1        | 115      | 41B537660P6   | 12                | WASHER, FLAT, 0.562 IN ID, 0.938 IN OD       |
|          |          | 493A471P1     | 1                 | *HUB, 9.120 IN OD, POWER TAKE-OFF            |

\* ADDED OR CHANGED SINCE LAST ISSUE.

# WELD OR BRAZE IN POSITION.

= ADDITIONAL MATERIAL IS REQUIRED TO INSTALL THE CONTINUOUS LOOP TEFLON BAND. SEE APPLICATION INSTRUCTIONS, GEK-76278.

- END OF PARTS BULLETIN -

PB-31101-020B  
Supersedes PB-31101-020A

DRILLING MOTOR  
MODEL 5GE752RB2A

---