



**PB-31101-022A**  
Supersedes PB-31101-022

# **GE Renewal Parts**

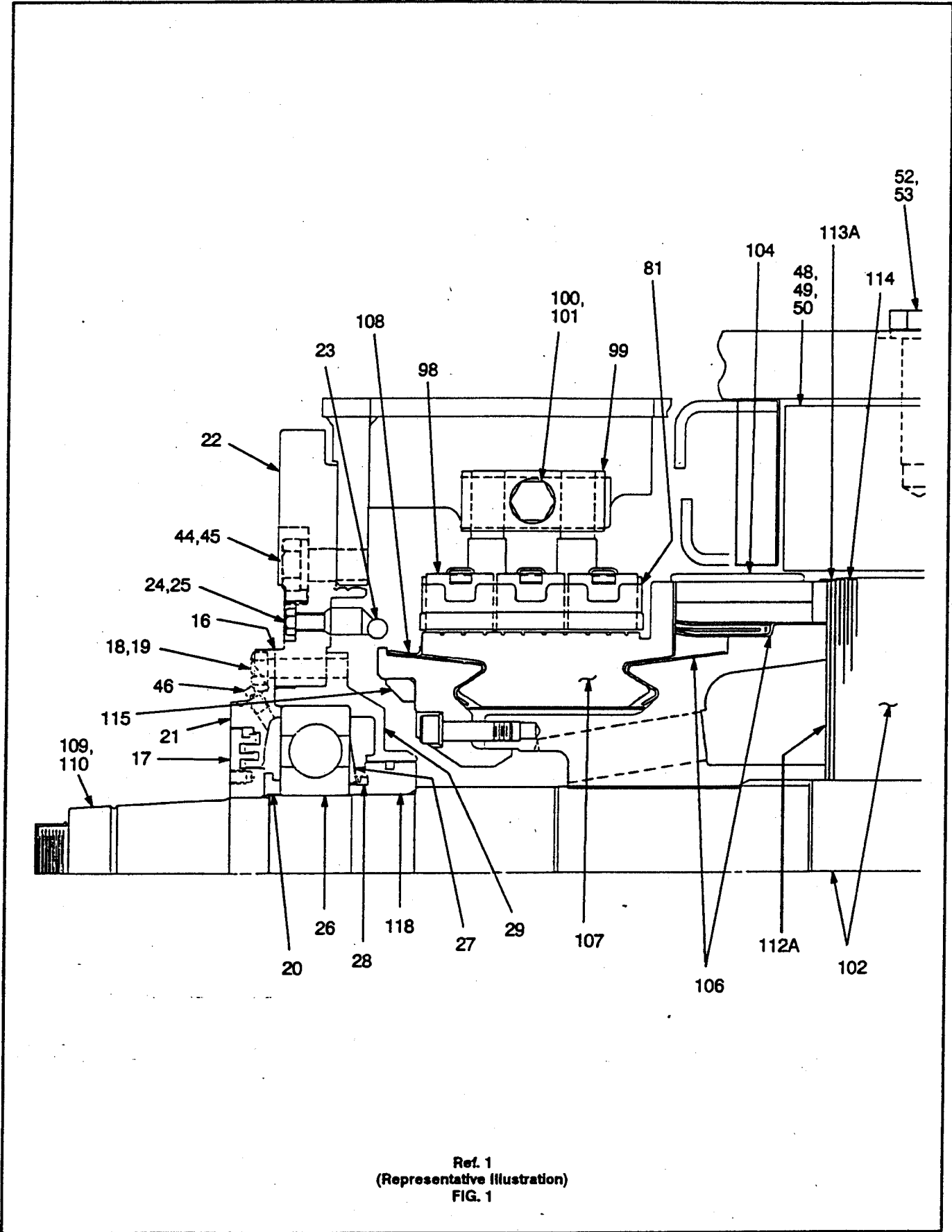
*Use original equipment parts for reliability*

**PARTS BULLETIN**

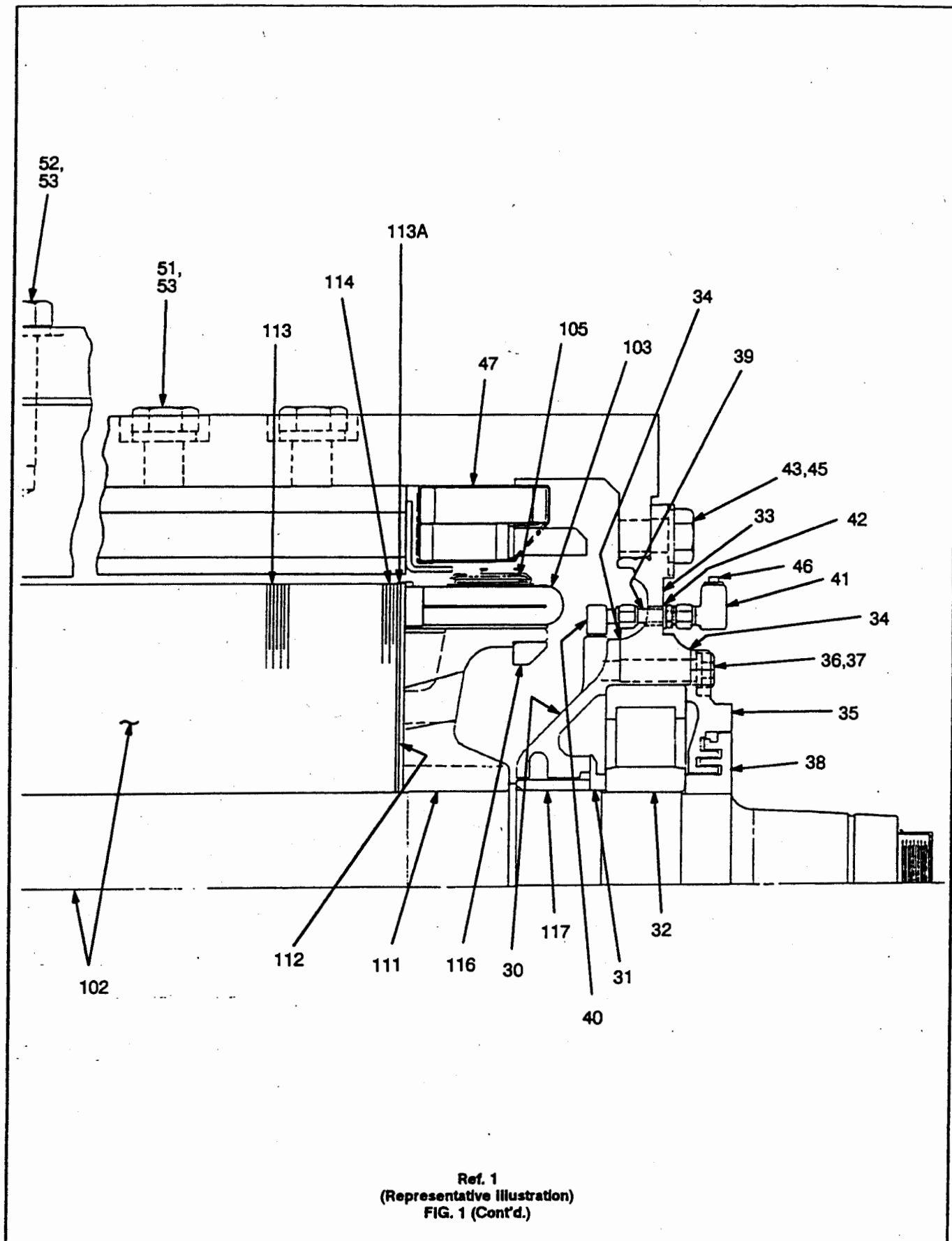
**DRILLING MOTOR  
MODEL 5GE752US2**

OCTOBER 30, 1992

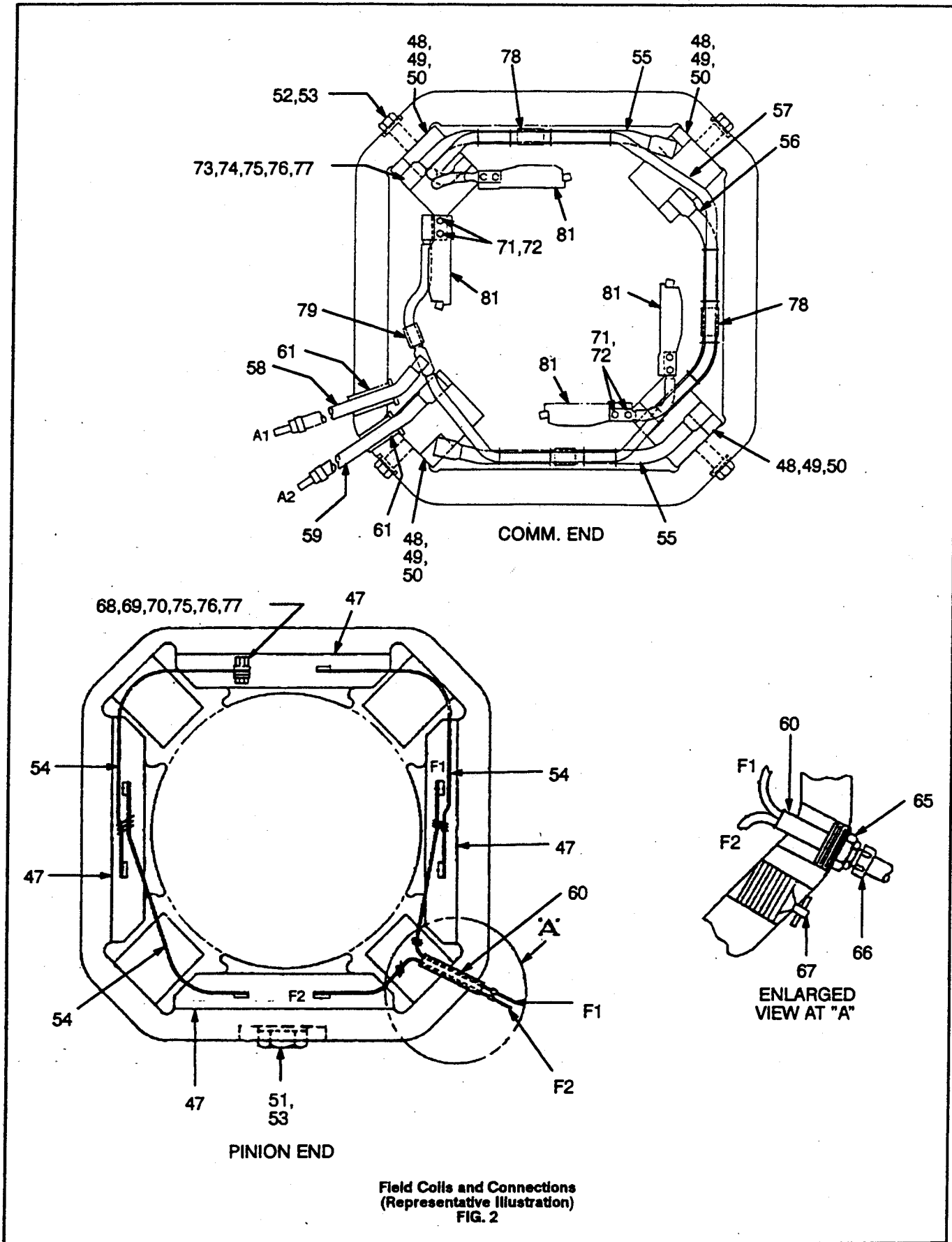
© Copyright 1992 General Electric Company. All rights reserved. This copyrighted document may be reproduced free of charge by General Electric Company customers, if such reproduction is used exclusively in that customer's internal operation.

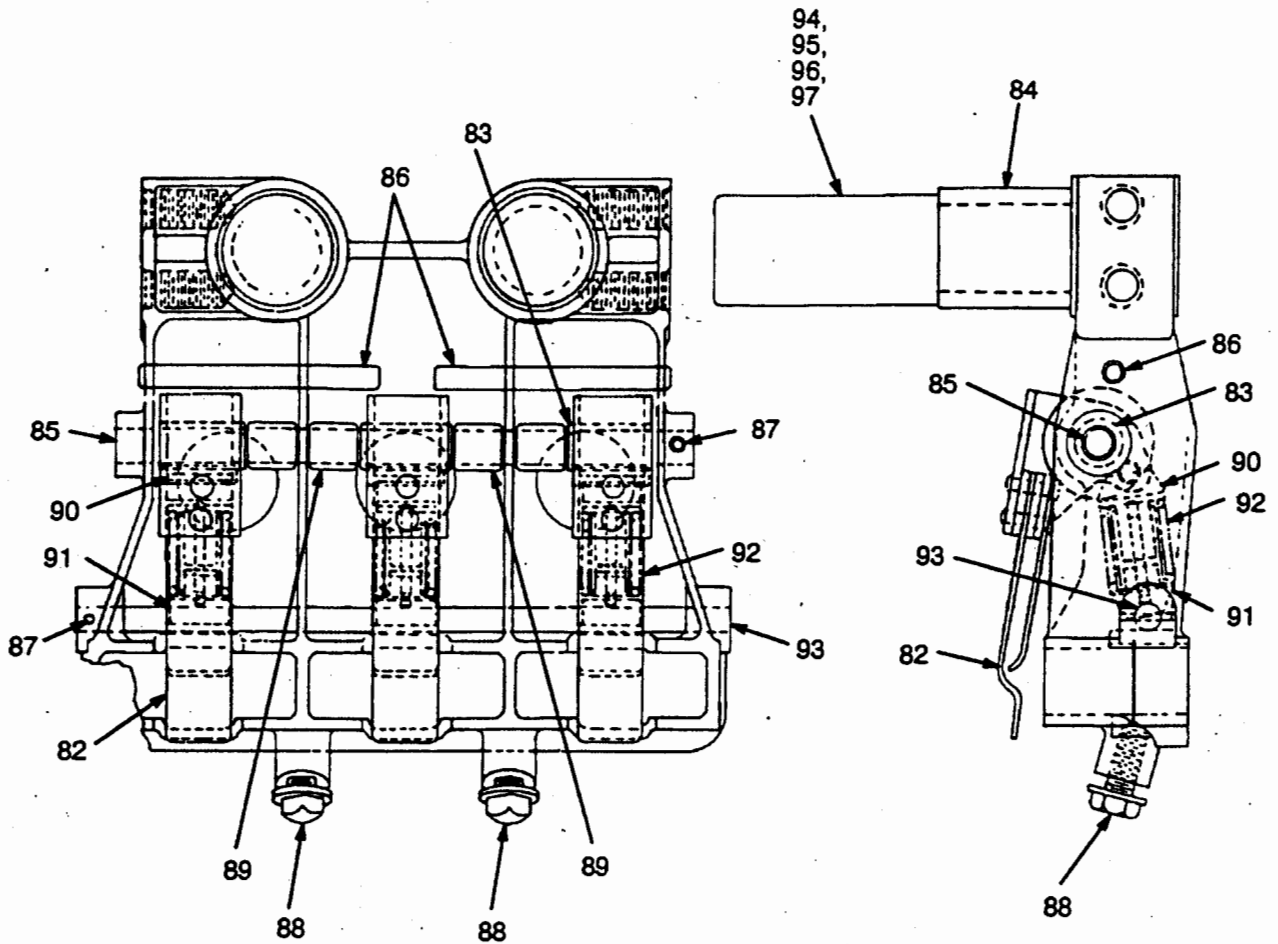


Ref. 1  
(Representative Illustration)  
FIG. 1



Ref. 1  
(Representative Illustration)  
FIG. 1 (Cont'd.)





Ref. 81  
Brush Holder  
(Representative Illustration)  
FIG. 3

FIG. NO.	REF. NO.	PART NO.	QUANT REQ. COL. A	DESCRIPTION
1	1	5GE752US2	1	DRILLING MOTOR
		41C636513G1	1	INSPECTION COVER, UPPER
		41C636513P11	2	+GASKET, 9 3/4 IN LONG
		41C636513P12	2	+GASKET, 11 1/4 IN LONG
		497A806P12	AR	+CEMENT
		41D732878G4	1	INSPECTION COVER, LOWER
		41D732878P7	2	+GASKET, 11 9/32 IN LONG
		41D732878P8	2	+GASKET, 9 1/2 IN LONG
		497A806P12	AR	+CEMENT
		41A239914G1	1	INSPECTION COVER, HAND HOLE
		41A239914P2	2	+GASKET, NEOPRENE, 0.250 X 0.560 X 9.250 IN LONG
		41A239914P3	2	+GASKET, NEOPRENE, 0.250 X 0.560 X 8.120 IN LONG
		497A806P12	AR	+CEMENT
		N14P29020B13	12	BOLT, HEX HD, 1/2 IN-13, 1 1/4 IN LONG
		N405P45B13	12	LOCKWASHER, 1/2 IN
1	16	493A546P1	1	+GASKET, 0.021 IN THK
1	17	493A540P1	1	SLEEVE
1	18	N22P33044	8	BOLT, HEX HD, 5/8 IN-11, 2 3/4 IN LONG
1	19	N405P47B13	8	LOCKWASHER, 5/8 IN
1	20	41A237207P1	1	SPACER
1	21	41B537478P1	1	BEARING CAP, COMMUTATOR END
1	22	41C635474G2	1	FRAME HEAD
1	23	481A560G1	1	FLASH RING
1	24	N22P29020B13	6	BOLT, HEX HD, 1/2 IN-13, 1 1/4 IN LONG
		DELETED	AR	NOT USED
1	26	8864950P195	1	+BALL BEARING
1	27	41A239929P3	1	METALIC SEAL
1	28	41A330363P1	1	V-RING SEAL
1	29	41C637267P1	1	BEARING HOUSING
1	30	41C636257P4	1	BEARING CAP, PINION END
1	31	4713640P1	1	FLINGER
1	32	8864951P167	1	*ROLLER BEARING
1	33	41C636958P1	1	FRAME HEAD
1	34	4732906P1	2	+GASKET, 0.021 IN THICK
1	35	2739317P1	1	BEARING CAP
1	36	N22P33056	8	BOLT, HEX HD, 5/8 IN-11, 3 1/2 IN LONG
1	37	N405P47B13	8	LOCKWASHER, 5/8 IN
1	38	4732351P1	1	SLEEVE
1	39	41A330230P3	1	TUBE UNION, BULKHEAD
1	40	41A330230P4	1	*SWIVEL ADAPTER, 90 DEG
1	41	41A330283P1	1	FITTING, 90 DEG

\* ADDED OR CHANGED SINCE LAST ISSUE.  
+ RECOMMEND CUSTOMER STOCK THIS PART.

FIG. NO.	REF. NO.	PART NO.	QUANT REQ. COL. A	DESCRIPTION
1	42	N402P46B13	2	WASHER, 9/16 IN
1	43	N22P39032	4	BOLT, HEX HD, 1 IN-8, 2 IN LONG
1	44	N22P39036	7	BOLT, HEX HD, 1 IN-8, 2 1/4 IN LONG
1	45	41B537660P20	11	WASHER, FLAT, 1.063 IN ID, 2 IN OD
1	46	N5700P31	3	PIPE PLUG, 1/4 IN
1,2	47	41D735394G3	4	COIL WITH POLE PIECE, EXCITING
1,2	48	41C636992G5	4	COIL W/POLE PIECE, COMM. (FOR SUPPLY USE -G4)
1,2	49	41C636992G4	4	COMMUTATING COIL
1,2	50	41B535341G1	4	POLE PIECE, COMMUTATING COIL
1,2	51	4713691P2	12	BOLT, HEX HD, 1 1/4 IN-7, 3 3/4 IN LONG
1,2	52	41A239559P1	12	*BOLT, HEX HD, 1 1/4 IN-12, 4 IN LONG
1,2	53	41B537660P22	24	WASHER, FLAT, 1.453 IN ID, 2.500 IN OD
2	54	8842961G1	3	CABLE ASSEMBLY
2	55	41B537185G2	2	#CABLE ASSEMBLY
2	56	41B537185G1	1	#CABLE ASSEMBLY
2	57	41C636558G1	1	CABLE ASSEMBLY
2	58	41C637107G1	1	CABLE ASSEMBLY
2	59	41C637107G6	1	#CABLE ASSEMBLY
2	60	41A239962G2	1	CABLE ASSEMBLY
2	61	481A539P20	2	CABLE BUSHING, 1 1/2 IN ID, RUBBER
		DELETED	2	NOT USED
		DELETED	1	NOT USED
		DELETED	1	NOT USED
2	65	41A210359P11	1	REDUCING BUSHING, 1 1/2 IN TO 1 IN
2	66	41A264911P13	1	CONNECTOR, 0.750 IN TO 0.875 IN DIA CABLE
2	67	41A239663P2	1	PLUG
2	68	41A230733P4	8	BOLT W/WASHER, SL HX HD, 1/4 IN-20, 1/2 IN LONG
2	69	8809650P1	8	WASHER, CONCAVE, 1/4 IN, SPR STL
2	70	N203P21B13	8	NUT, HEX, 1/4 IN-20
2	71	N22P27016B13	8	BOLT, HEX HD, 7/16 IN-14, 1 IN LONG
2	72	N405P44B13	8	LOCKWASHER, 7/16 IN
2	73	41A231281P46	AR	BRAZING STRIP, 1 IN X 1 IN LONG
2	74	41A330300P2	AR	*BRAZING ALLOY, 0.050 X 0.062 IN
2	75	41A239176P443	AR	SILASTIC PUTTY
2	76	41A239176P133	AR	SILICONE TAPE, 0.015 IN THICK, 1 IN WIDE
2	77	41A239176P22	AR	*GLASS TAPE, 0.007 IN THICK, 1 IN WIDE
2	78	41A237818P1	3	*RUBBER PAD, 1 1/4 IN WIDE, 2 1/2 IN LONG
2	79	41A231248P2	1	PAD, 5/32 IN, 3/4 IN, 2 1/4 IN
		N5700P51	1	PIPE PLUG, SQ HD, 1/2 IN
1,2,3	81	41C632667G6	4	+BRUSH HOLDER ASSEMBLY

\* ADDED OR CHANGED SINCE LAST ISSUE.  
# WELD OR BRAZE IN POSITION.  
+ RECOMMEND CUSTOMER STOCK THIS PART.

FIG. NO.	REF. NO.	PART NO.	QUANT	DESCRIPTION
			REQ. COL. A	
3	82	41B530659G2	12	PRESSURE ARM
3	83	41A231370P2	12	BUSHING, 1.063 IN LONG
3	84	186V831P1	8	SLEEVE
3	85	41A231378P2	4	PIN, 3/8 IN DIA, 6 5/8 IN LONG
3	86	N509P2548	8	PIN, SPRING DOWEL, 1/4 IN DIA, 3 IN LONG
3	87	N509P912	8	PIN, SPRING DOWEL, 3/32 IN DIA, 3/4 IN LONG
3	88	41A230733P7	8	BOLT W/WASHER, HEX HD SL, 5/16 IN-18, 3/4 IN LONG
3	89	41A231370P6	16	BUSHING, 0.575 IN LONG
3	90	41A330248P1	12	SPRING SEAT
3	91	41A233867G4	12	SPRING SEAT WITH PIN
3	92	41B537844G1	12	SPRING SET ASSEMBLY
3	93	41A233880P1	4	PIN, 7 7/16 IN LONG
3	94	41B535754G28	8	BRUSH HOLDER STUD, MOLDED (0.002 IN OVERSIZE)
3	95	41B535754G29	8	BRUSH HOLDER STUD, MOLDED (0.004 IN OVERSIZE)
3	96	41B535754G30	8	BRUSH HOLDER STUD, MOLDED (0.006 IN OVERSIZE)
3	97	41B535754G31	8	BRUSH HOLDER STUD, MOLDED (0.008 IN OVERSIZE)
1	98	41B537963P1	12	+CARBON BRUSH
1	99	2733755P7	4	SUPPORT, BRUSH HOLDER
1	100	N22P37052	4	BOLT, HEX HD, 7/8 IN-9, 3 1/4 IN LONG
1	101	41B537660P25	4	*WASHER, FLAT, 0.968 IN ID, 1.375 IN OD
1	102	41D735775G5	1	*ARMATURE ASSEMBLY
1	103	41D735370G5	1	+ARMATURE REWIND KIT
1	104	41A239176P64	AR	GLASS TAPE, 0.014 IN THICK, 3/4 IN WIDE
1	105	41A330208P10	AR	WIRE, 0.072 IN DIA
1	106	41A239176P62	AR	GLASS TAPE, 0.014 IN THICK, 3/8 IN WIDE
1	107	41B537889G2	1	COMMUTATOR, SEASONED
1	108	41B537080P1	1	=TEFLON BAND (CONTINUOUS)
1	109	41C636927G1	1	ARMATURE SHAFT WITH PLUGS
1	110	8819420P1	2	PLUG, HEX SOC HD, 3/8 IN-24, 1 IN LONG
1	111	41B537605P4	1	*ARMATURE HEAD
1	112	41A239323G1	1	PUNCHING, END
1	112A	41A330418G1	1	*PUNCHING, END
1	113	41B537164P1	553	PUNCHING, MAIN
1	113A	41B537165P2	14	*PUNCHING, STEP BACK
1	114	41B537165P1	26	PUNCHING, STEP BACK
1	115	2766829ADP24	AR	BALANCE WEIGHT, 13 IN OD
1	116	2766829ADP26	AR	BALANCE WEIGHT, 14 3/4 IN OD
1	117	41A239330P1	1	COLLAR
1	118	41A330312P1	1	SLEEVE

\* ADDED OR CHANGED SINCE LAST ISSUE.

+ RECOMMEND CUSTOMER STOCK THIS PART.

= ADDITIONAL MATERIAL IS REQUIRED TO INSTALL THE CONTINUOUS LOOP TEFLON BAND. SEE APPLICATION INSTRUCTIONS, GEK-76278.

- END OF PARTS BULLETIN -