



PB-31102-023A
Supersedes PB-31102-023

GE Renewal Parts

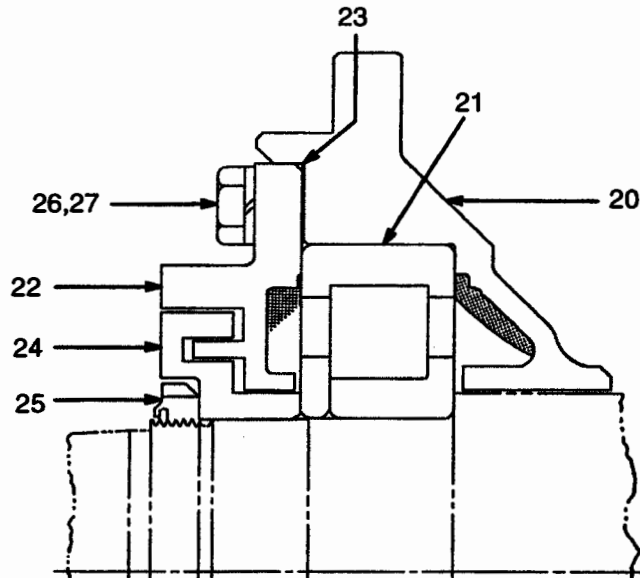
Use original equipment parts for reliability

PARTS BULLETIN

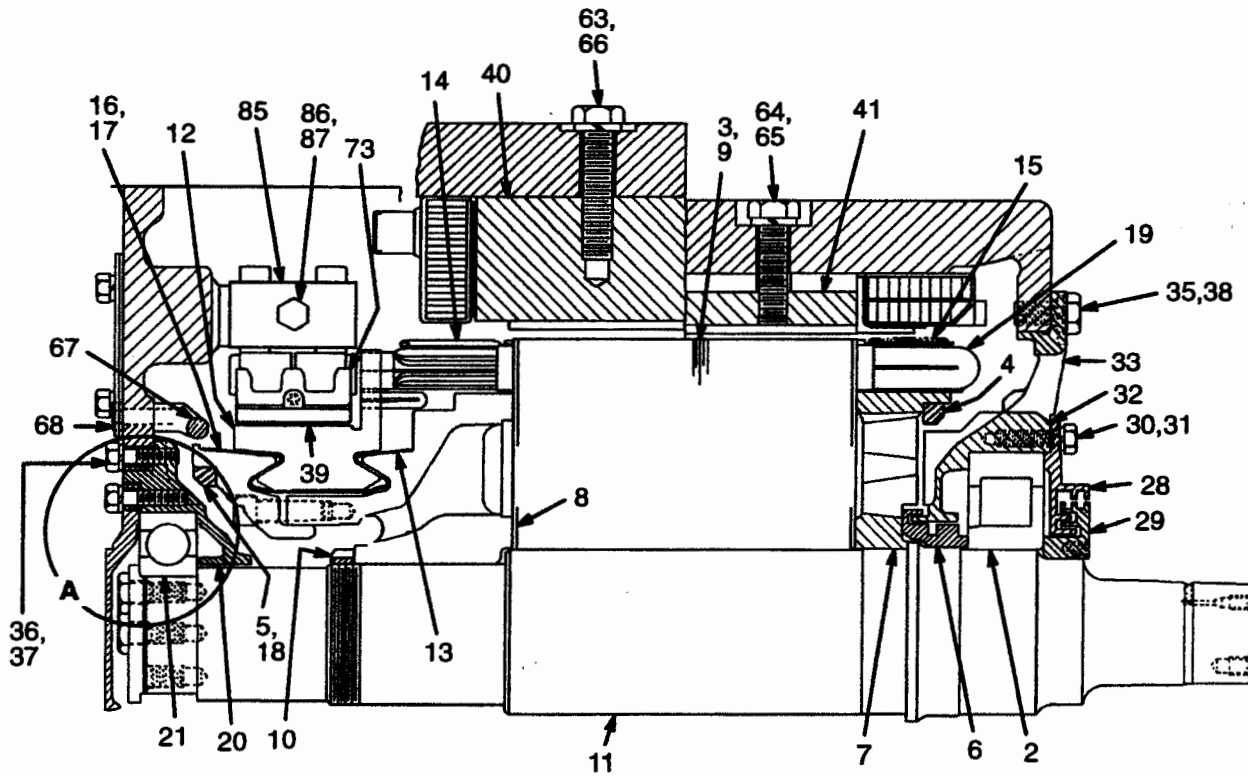
**MOTOR
MODEL 5GE761J7**

JUNE 25, 1998

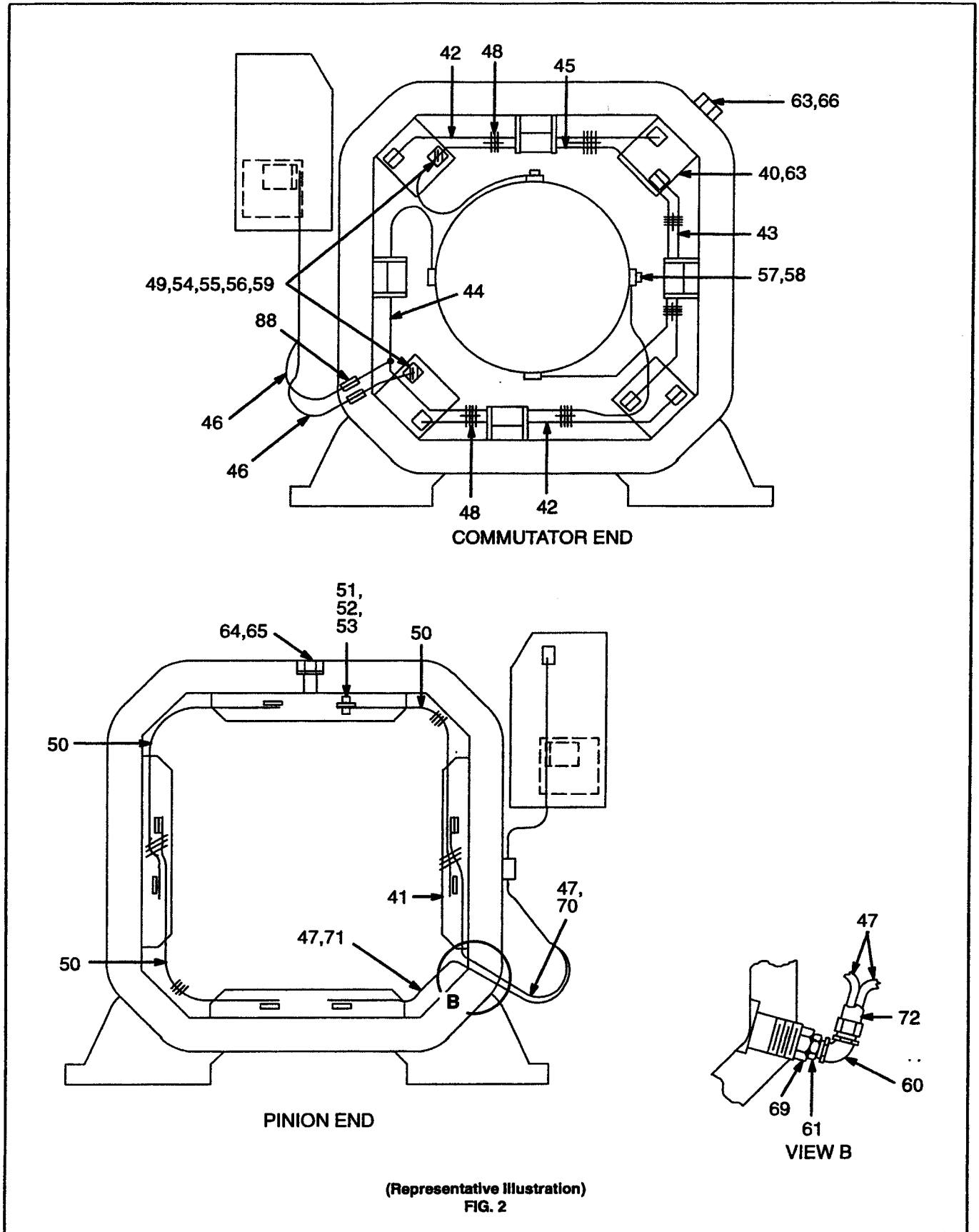
© Copyright 1998 General Electric Company. All rights reserved. This copyrighted document may be reproduced free of charge by General Electric Company customers, if such reproduction is used exclusively in connection with equipment used in that customer's internal operation.

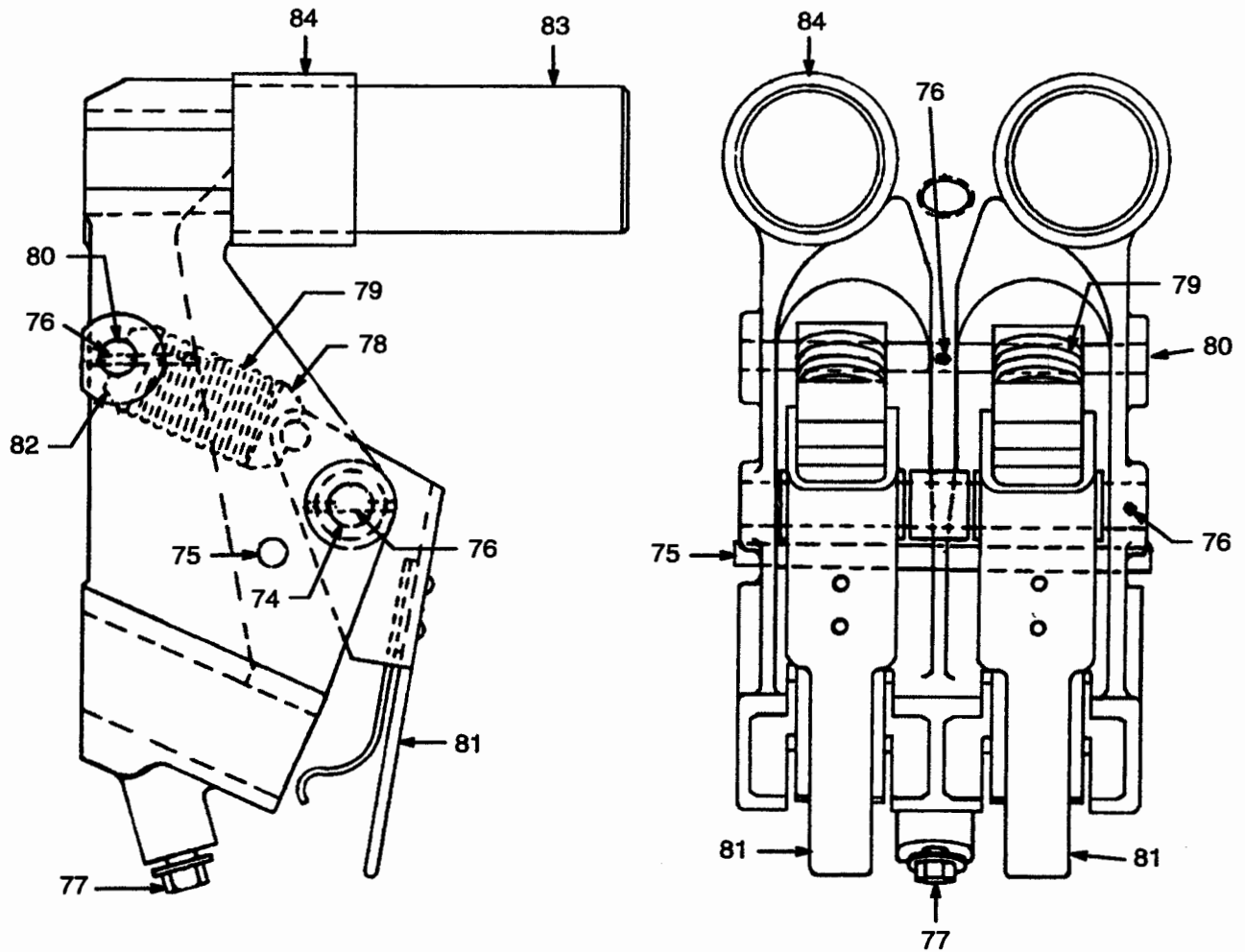


VIEW A



Ref. 1
(Representative Illustration)
FIG. 1





Ref. 73
(Representative Illustration)
Fig. 3

| FIG. NO. | REF. NO. | PART NO. | QUANT REQ. COL. A | DESCRIPTION |
|----------|----------|---------------|-------------------|---|
| 1 | 1 | 5GE761J7 | 1 | MOTOR |
| 1 | 2 | 8864951P148 | 1 | ROLLER BEARING |
| 1 | 3 | 41C630518G3 | 1 | ARMATURE |
| 1 | 4 | 2766829ADP43 | AR | #BALANCE WEIGHT, 3/4 IN WIDE |
| 1 | 5 | 2766829ADP14 | AR | #BALANCE WEIGHT, 5/8 IN WIDE |
| 1 | 6 | 41A231419P1 | 1 | COLLAR |
| 1 | 7 | 41C630398P1 | 1 | ARMATURE HEAD |
| 1 | 8 | 41B530027P1 | 2 | END PUNCHING, 0.125 IN THICK |
| 1 | 9 | 9949018P1 | 400 | MAIN PUNCHING, 0.025 IN THICK |
| 1 | 10 | 41A231420P1 | 1 | NUT |
| 1 | 11 | 41C630896G1 | 1 | SHAFT |
| 1 | 12 | 9949046G6 | 1 | COMMUTATOR, SEASONED |
| 1 | 13 | 41A239176P456 | 2 | PERMAFIL PUTTY |
| 1 | 14 | 41A239176P64 | 1 | GLASS TAPE, 0.014 IN THICK, 3/4 IN WIDE |
| 1 | 15 | 41A330208P10 | AR | WIRE, 0.072 IN DIA |
| 1 | 16 | 41B537080P2 | 1 | =TEFLON BAND (CONTINUOUS) |
| 1 | 17 | 41A239176P60 | AR | GLASS TAPE, 0.010 IN THICK, 1/4 IN WIDE |
| 1 | 18 | 2766829AGP1 | AR | #BALANCE WEIGHT, 21/32 IN WIDE |
| 1 | 19 | 41D731384G5 | 1 | REWIND KIT, ARMATURE |
| 1 | 20 | 8843512P1 | 1 | BEARING HOUSING |
| 1 | 21 | 8864951P106 | 1 | ROLLER BEARING |
| 1 | 22 | 41B531153P1 | 1 | BEARING CAP |
| 1 | 23 | 8819143P1 | 1 | GASKET |
| 1 | 24 | 41B531152P1 | 1 | COLLAR |
| 1 | 25 | 41A232244P1 | 1 | NUT |
| 1 | 26 | N22P29020B13 | 8 | BOLT, HEX HD, 1/2 IN-13, 1 1/4 IN LONG |
| 1 | 27 | N405P45B13 | 8 | LOCKWASHER, 1/2 IN |
| 1 | 28 | 41B530705P1 | 1 | BEARING CAP |
| 1 | 29 | 41A231426P1 | 1 | RETAINING COLLAR |
| 1 | 30 | N22P29020B13 | 6 | BOLT, HEX HD, 1/2 IN-13, 1 1/4 IN LONG |
| 1 | 31 | N405P45B13 | 6 | LOCKWASHER, 1/2 IN |
| 1 | 32 | 8819142P1 | 1 | GASKET, 12 7/8 IN DIA |
| 1 | 33 | 41C630886P1 | 1 | FRAME HEAD |
| | | N22P29014B13 | 4 | BOLT, HEX HD, 1/2 IN-13, 7/8 IN LONG |
| 1 | 35 | 8808885P1 | 4 | BOLT, HEX HD, 3/4 IN-10, 1 1/2 IN LONG |
| 1 | 36 | N22P29028B13 | 8 | BOLT, HEX HD, 1/2 IN-13, 1 3/4 IN LONG |
| 1 | 37 | N405P45B13 | 12 | LOCKWASHER, 1/2 IN |
| 1 | 38 | N405P48B13 | 4 | LOCKWASHER, 3/4 IN |
| 1 | 39 | 41A238548P1 | 8 | CARBON BRUSH |
| 1,2 | 40 | 8843549G4 | 4 | COIL WITH POLE PIECE, COMMUTATING |
| 1,2 | 41 | 41D730556G2 | 4 | COIL WITH POLE PIECE, EXCITING FIELD |

WELD OR BRAZE IN POSITION.

=ADDITIONAL MATERIAL IS REQUIRED TO INSTALL THE CONTINUOUS LOOP TEFLON BAND AT ASSEMBLY. SEE APPLICATION INSTRUCTIONS, GEK-76278.

| FIG. NO. | REF. NO. | PART NO. | QUANT REQ. COL. A | DESCRIPTION |
|----------|----------|---------------|-------------------|---|
| 2 | 42 | 9949030G1 | 4 | CONNECTION STRAP |
| 2 | 43 | 9949030G2 | 1 | CONNECTION STRAP |
| 2 | 44 | 9949069G5 | 1 | CABLE ASSEMBLY |
| 2 | 45 | 41B537417G2 | 1 | CABLE ASSEMBLY |
| 2 | 46 | 41B539176G2 | 2 | CABLE ASSEMBLY |
| 2 | 47 | 41B539176G1 | 2 | CABLE ASSEMBLY |
| 2 | 48 | 41A231248P1 | 4 | PAD, 7/32 IN, 7/8 IN, 1 1/2 IN |
| 2 | 49 | 41A238861P1 | 6 | PAD, INSULATION, 0.060 IN THICK |
| 2 | 50 | 41B531137G1 | 3 | CABLE ASSEMBLY |
| 2 | 51 | N22P21008B13 | 8 | BOLT, HEX HD, 1/4 IN-20, 1/2 IN LONG |
| 2 | 52 | 8809650P1 | 8 | WASHER, CONCAVE, 1/4 IN, SPR STL |
| 2 | 53 | N203P21B13 | 8 | NUT, HEX, 1/4 IN-20 |
| 2 | 54 | 41A231281P33 | 9 | BRAZING STRIP, 0.010 IN THK, 3/4 IN WIDE, 3/4 IN LG |
| 2 | 55 | 41A239176P443 | AR | SILASTIC PUTTY |
| 2 | 56 | 41A239176P50 | AR | TAPE, POLYESTER AND GLASS CLOTH, 0.010 IN THK |
| 2 | 57 | N22P29016B13 | 4 | BOLT, HEX HD, 1/2 IN-13, 1 IN LONG |
| 2 | 58 | N405P45B13 | 4 | LOCKWASHER, 1/2 IN |
| 2 | 59 | 41A239176P487 | AR | VARNISH |
| 2 | 60 | 499A918ACP3 | 1 | ELBOW, 90 DEGREE, 3/4 IN CONDUIT |
| 2 | 61 | 499A918BAP3 | 1 | LOCKNUT, 3/4 IN CONDUIT |
| 2 | 62 | 9961563P1 | 8 | SPOOL FLANGE |
| 1,2 | 63 | 41A238308P1 | 8 | BOLT, HEX HD, 7/8 IN-9 |
| 1,2 | 64 | N22P37048 | 8 | BOLT, HEX HD, 7/8 IN-9, 3 IN LONG |
| 1,2 | 65 | N405P49B13 | 8 | LOCKWASHER, 7/8 IN |
| 1,2 | 66 | 41B537660P19 | 8 | WASHER, FLAT, 0.968 IN ID, 1.750 IN OD |
| 1 | 67 | 41A231453G1 | 1 | FLASH RING |
| 1 | 68 | N22P29020B13 | 6 | BOLT, HEX HD, 1/2 IN-13, 1 1/4 IN LONG |
| 2 | 69 | 41A210359P12 | 1 | *REDUCING BUSHING, 1 1/2 IN TO 3/4 IN |
| 1 | 70 | 41A237352P2 | 1 | CABLE MARKER (MARKED F1) |
| 1 | 71 | 41A237352P3 | 1 | CABLE MARKER (MARKED F2) |
| 2 | 72 | 155B9914ABP56 | 1 | FLEXIBLE CONDUIT, 3/4 IN OD, 7 IN LONG |
| 1,3 | 73 | 41C637788G1 | 4 | BRUSHHOLDER |
| 3 | 74 | 41A231378P5 | 4 | HINGE PIN, 3/8 IN DIA, 3 1/2 IN LONG |
| 3 | 75 | N509P2556 | 4 | PIN, 1/4 IN DIA, 3 1/2 IN LONG |
| 3 | 76 | N509P1312 | 24 | PIN, SPRING DOWEL, 1/8 IN DIA, 3/4 IN LONG |
| 3 | 77 | 41A231439P4 | 4 | *BOLT WITH WASHER, 1/4 IN-20, 7/8 IN LONG |
| 3 | 78 | 41A330248P1 | 8 | SPRING SEAT |
| 3 | 79 | 41A238759P1 | 8 | SPRING |
| 3 | 80 | 41A233880P5 | 4 | HINGE PIN, 5/16 IN DIA, 3 1/2 IN LONG |
| 3 | 81 | 41B532884G3 | 8 | PRESSURE ARM |
| 3 | 82 | 41A233867G5 | 8 | SPRING SEAT WITH PIN |
| 3 | 83 | 41B535754G41 | 8 | BRUSH HOLDER STUD, MOLDED (0.002 IN OVERSIZE) |

* ADDED OR CHANGED SINCE LAST ISSUE.

| FIG. NO. | REF. NO. | PART NO. | QUANT REQ. COL. A | DESCRIPTION |
|-------------|-------------|---------------|----------------------------|--|
| 3 | 84 | 41A232340P3 | 8 | SLEEVE |
| 1 | 85 | 8828693P3 | 4 | SUPPORT, BRUSH HOLDER |
| 1 | 86 | N170P35052 | 4 | BOLT, HEX SOC HD, 3/4 IN-10, 3 1/4 IN LONG |
| 1 | 87 | 41B537660P16 | 4 | WASHER, FLAT, 0.850 IN ID, 1.375 IN OD |
| 1 | 88 | 481A539P37 | 2 | *CABLE BUSHING, 1 IN ID, 1 29/32 IN OD, 2 1/8 IN |
| | | 41A232221G1 | 1 | COVER, 8 9/16 IN X 11 7/8 IN LONG, INSPECTION |
| | | 41A239176P318 | AR | GASKET, PRE-COATED FELT, 0.250 IN THK |
| | | 41A232214P1 | 1 | COVER, 9 3/4 IN LONG, HAND HOLE |
| | | 41A238898G1 | 1 | COVER, 11 1/4 IN LONG, BOTTOM INSPECTION |
| | | 41A239176P318 | AR | GASKET, PRE-COATED FELT, 0.250 IN THK |

* ADDED OR CHANGED SINCE LAST ISSUE.

- END OF PARTS BULLETIN -