



GE Renewal Parts

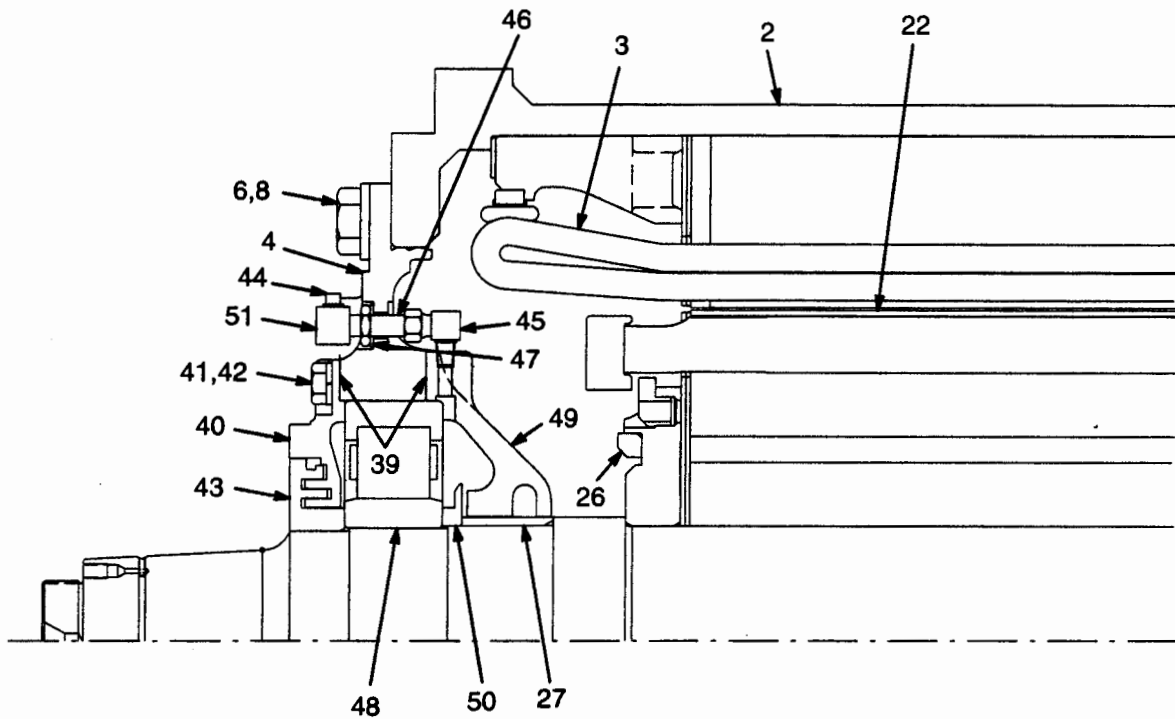
Use original equipment parts for reliability

PARTS BULLETIN

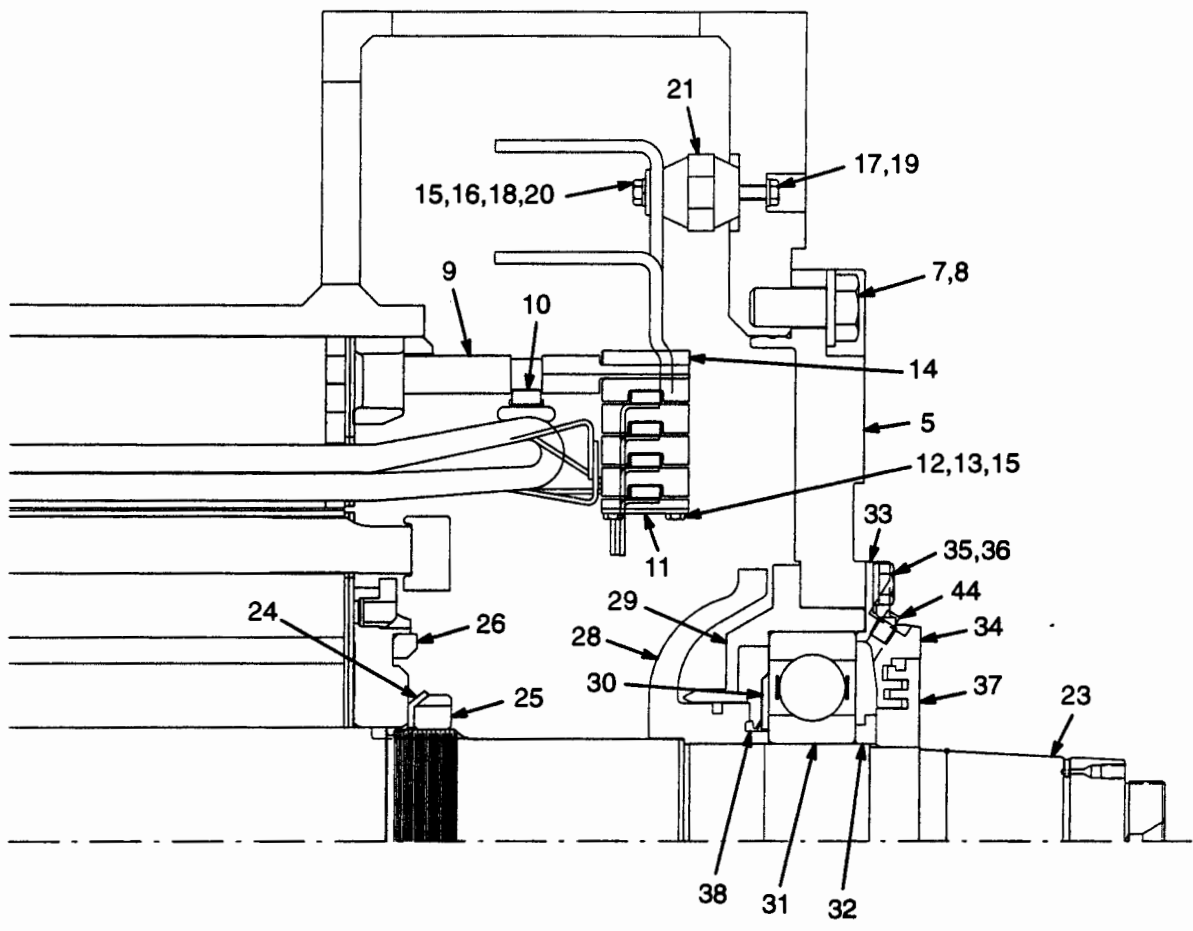
**MOTOR
MODEL 5GEB20B2**

NOVEMBER 16, 1998

MOTOR
MODEL 5GEB20B2

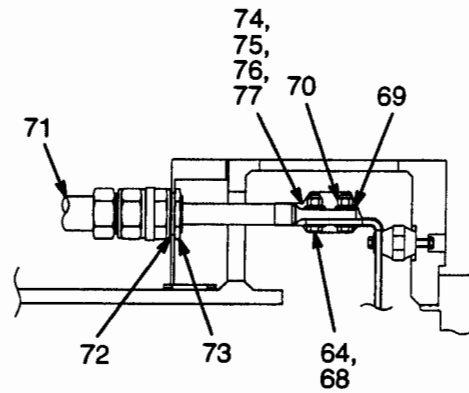
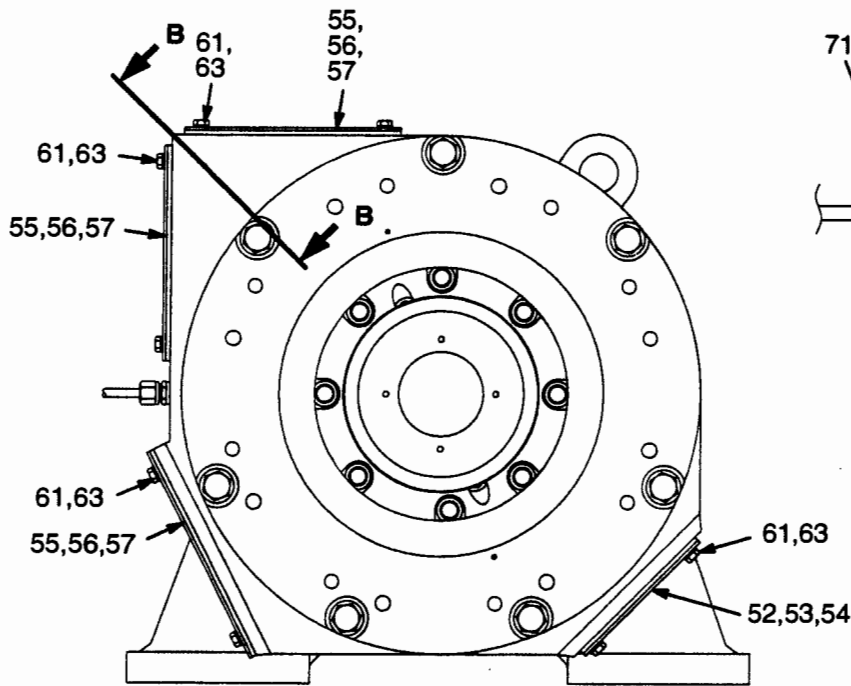
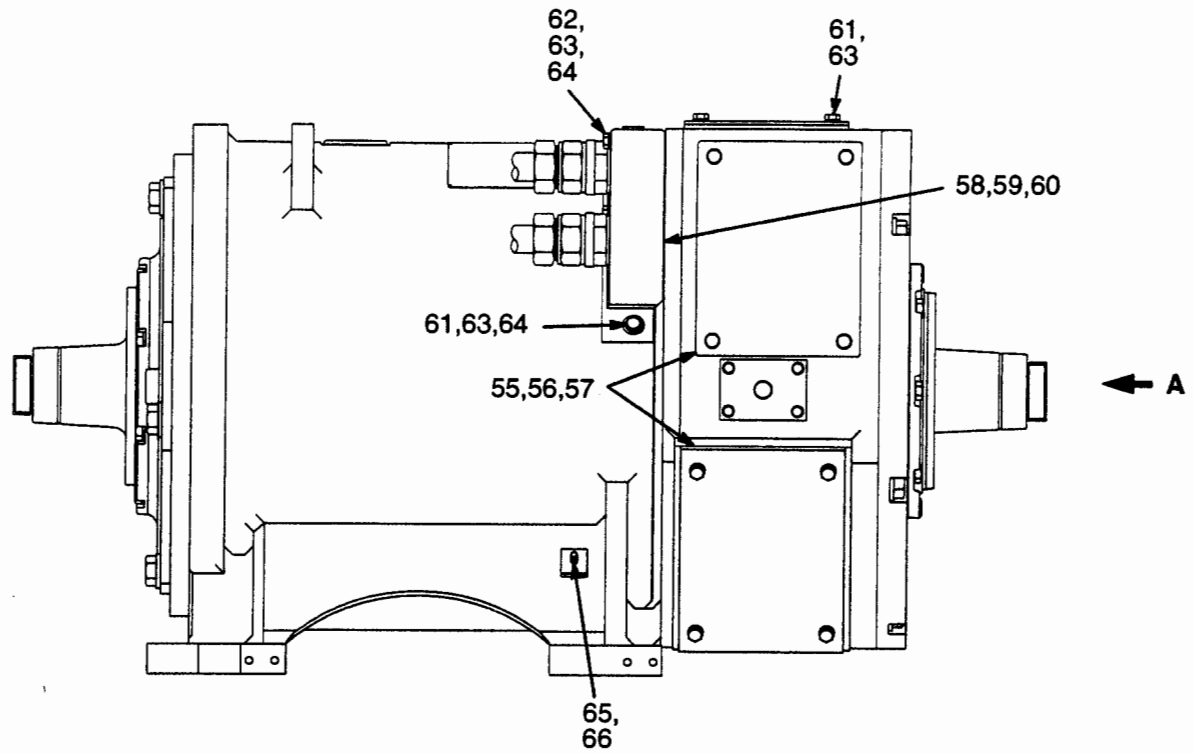


(Representative Illustration)
FIG. 1



(Representative Illustration)
FIG. 1 (Cont'd)

MOTOR
MODEL 5GEB20B2



SECTION B-B

VIEW A

Ref. 1
(Representative Illustration)
FIG. 2

MOTOR
MODEL 5GEB20B2

PB-31107-002

FIG. NO.	REF. NO.	PART NO.	QUANT REQ. COL. A	DESCRIPTION
2	1	5GEB20B2	1	MOTOR
1	2	41E903973G1	1	STATOR ASSEMBLY
1	3	41E903973G2	1	STATOR ASSEMBLY REWIND KIT
1	4	41C636958P1	1	FRAME HEAD
1	5	84D706980P1	1	FRAME HEAD
1	6	N22P39032	4	BOLT, HEX HD, 1 IN-8, 2 IN LONG
1	7	N22P39036	7	BOLT, HEX HD, 1 IN-8, 2 1/4 IN LONG
1	8	41B537660P20	11	WASHER, FLAT, 1.063 IN ID, 2 IN OD
1	9	84B512931P1	6	BUS RING SUPPORT POST, 8 1/2 IN LONG
1	10	84C618269P1	1	TIE RING
1	11	84A205426P1	6	CLAMP BAR, 3/4 IN WIDE, 2 1/4 IN LONG
1	12	N22P21072B13	12	BOLT, HEX HD, 1/4 IN-20, 4 1/2 IN LONG
1	13	N405P41B13	12	LOCKWASHER, 1/4 IN
1	14	84A205424P1	6	TAP BLOCK, 3/4 IN WIDE, 2 1/4 IN LONG
1	15	497A806P83	AR	CEMENT
1	16	N22P25016B13	3	BOLT, HEX HD, 3/8 IN-16, 1 IN LONG
1	17	N22P25020B13	3	BOLT, HEX HD, 3/8 IN-16, 1 1/4 IN LONG
1	18	N405P43B13	3	LOCKWASHER, 3/8 IN
1	19	41B537660P1	3	WASHER, FLAT, 0.435 IN ID, 0.675 IN OD
1	20	41B537660P2	3	WASHER, FLAT, 0.435 IN ID, 1.188 IN OD
1	21	41A260128P3	3	INSULATOR, 3/8 IN-16 THREADS, BOTH ENDS
1	22	84C618205G3	1	ROTOR ASSEMBLY
1	23	84C618204G1	1	SHAFT
1	24	8864959P130	1	LOCKWASHER
1	25	8864959P30	1	NUT
1	26	2766829ADP14	AR	#BALANCE WEIGHT, 5/8 IN WIDE
1	27	41A239330P1	1	COLLAR
1	28	41B539181P2	1	GEAR, SPEED SENSOR
1	29	41C637267P1	1	BEARING HOUSING
1	30	41A239929P3	1	METALLIC SEAL
1	31	8864950P195	1	BALL BEARING
1	32	41A237207P1	1	SPACER
1	33	493A546P1	1	GASKET, 0.021 IN THK
1	34	41B537478P1	1	BEARING CAP, COMMUTATOR END
1	35	N405P47B13	8	LOCKWASHER, 5/8 IN
1	36	N22P33044	8	BOLT, HEX HD, 5/8 IN-11, 2 3/4 IN LONG
1	37	493A540P1	1	SLEEVE
1	38	41A330363P1	1	V-RING SEAL
1	39	4732906P1	2	GASKET, 0.021 IN THICK
1	40	2739317P1	1	BEARING CAP
1	41	N405P47B13	8	LOCKWASHER, 5/8 IN
1	42	N22P33056	8	BOLT, HEX HD, 5/8 IN-11, 3 1/2 IN LONG

WELD OR BRAZE IN POSITION.

MOTOR
MODEL 5GEB20B2

FIG. NO.	REF. NO.	PART NO.	QUANT REQ. COL. A	DESCRIPTION
1	43	4732351P1	1	SLEEVE
1	44	N5700P31	3	PIPE PLUG, 1/4 IN
1	45	41A330230P4	1	SWIVEL ADAPTER, 90 DEG
1	46	41A330230P3	1	TUBE UNION, BULKHEAD
1	47	N402P46B13	2	WASHER, 9/16 IN
1	48	8864951P167	1	ROLLER BEARING
1	49	41C636257P4	1	BEARING CAP, PINION END
1	50	4713640P1	1	FLINGER
1	51	41A330283P1	1	FITTING, 90 DEG
2	52	41A239914G1	1	INSPECTION COVER, HAND HOLE
2	53	41A239176P334	AR	GASKET, 1/4 IN THK
2	54	497A806P57	AR	CEMENT
2	55	41D732878G4	3	INSPECTION COVER, LOWER
2	56	41A239176P334	AR	GASKET, 1/4 IN THK
2	57	497A806P57	AR	CEMENT
2	58	84D706904G2	1	COVER WITH CABLE HOLES
2	59	84C618215P1	1	GASKET, 1/8 IN THICK
2	60	84C618215P2	1	GASKET, 3/8 IN THICK
2	61	N22P29016B13	19	BOLT, HEX HD, 1/2 IN-13, 1 IN LONG
2	62	N22P29064B13	1	BOLT, HEX HD, 1/2 IN-13, 4 IN LONG
2	63	N405P45B13	20	LOCKWASHER, 1/2 IN
2	64	N402P45B13	16	WASHER, 1/2 IN (NARROW)
2	65	41A235078P57	1	STUD, 3/8 IN-16, 1 3/4 IN LONG
2	66	497A806P78	AR	THREADLOCKER 271, HIGH STRENGTH
		N5700P51	2	PIPE PLUG, SQ HD, 1/2 IN
2	68	N22P29032B13	6	BOLT, HEX HD, 1/2 IN-13, 2 IN LONG
2	69	84A204409P2	6	SPRING WASHER, 1/2 IN BOLT
2	70	41A260076P5	6	NUT, SELF LOCKING, 1/2 IN-13
2	71	84C619745G1	3	CABLE ASSEMBLY
2	72	84A205450P3	3	SEALING WASHER, M50, NYLON
2	73	84A205450P4	3	LOCKNUT, M50, BRASS
2	74	41A239176P443	AR	SILASTIC PUTTY
2	75	41A239176P133	AR	SILICONE TAPE, 0.015 IN THICK, 1 IN WIDE
2	76	41A239176P18	AR	TAPE, MICA, 0.005 IN THK, 0.750 IN WIDE
2	77	41A239176P487	AR	VARNISH

- END OF PARTS BULLETIN -