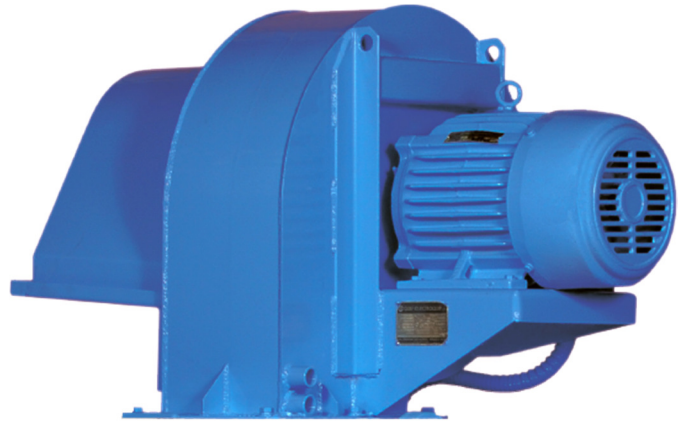


262282 GEQ QUIET CLEAN BLOWER

CENTRIFUGALLY CLEANING DRILLING MOTOR COOLING BLOWER ASSEMBLY WITH STANDARD INTAKE. EXHAUST FLANGE MOUNTS TO A SIEMENS TEFC 20HP 460 VAC 60 HZ 3600 RPM. BLOWER ASSEMBLY IS BLUE PAINTED CARBON STEEL

Quiet Clean™ Blowers

mechanically filter out sand, dirt, moisture and other abrasive contaminants for longer motor life. Utilizing the Quiet Clean™ cleaning technology these blowers lower the contamination inside the drilling motor, yielding greater reliability and longer time between rebuilds, which reduces downtime for the rig. Using a patented “element-less” filtration method, Quiet Clean blowers clean the air while providing the required cooling air for the drilling motor. This requires less maintenance than element filtration models, and no additional maintenance than a standard non-filtered blower.



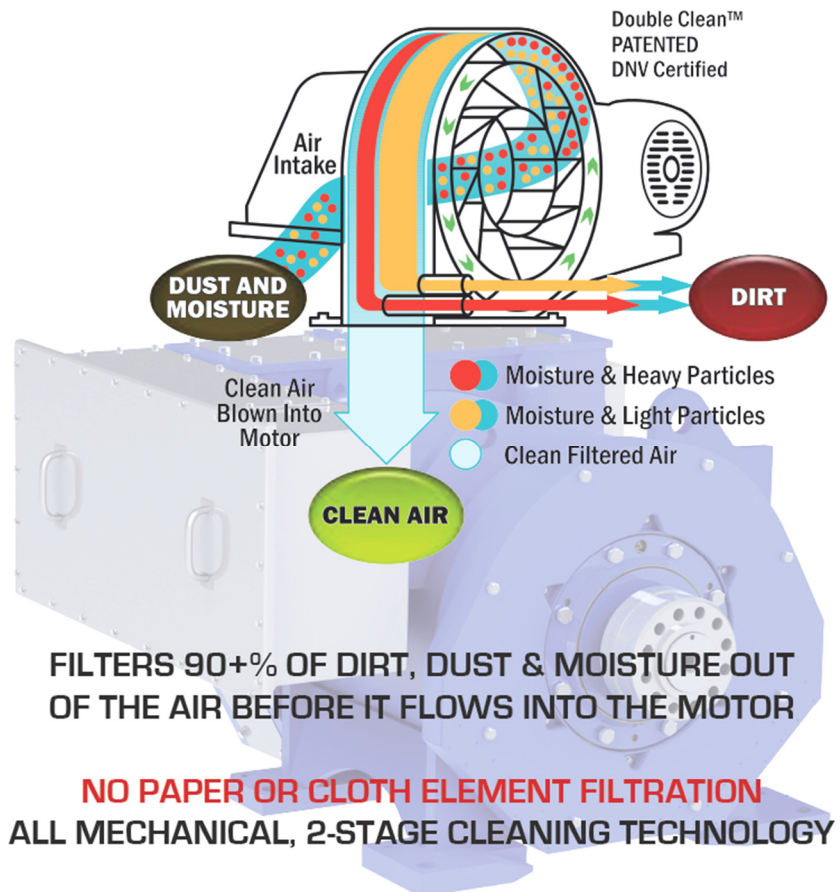
Unit shown is a representation of the general blower construction. Actual unit may differ from the unit shown above.

ADVANTAGES

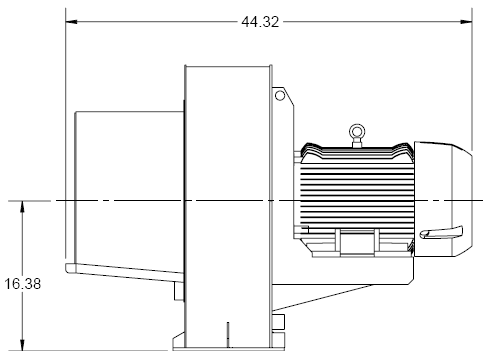
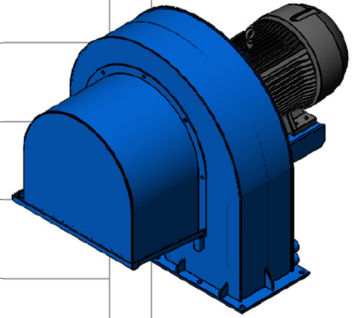
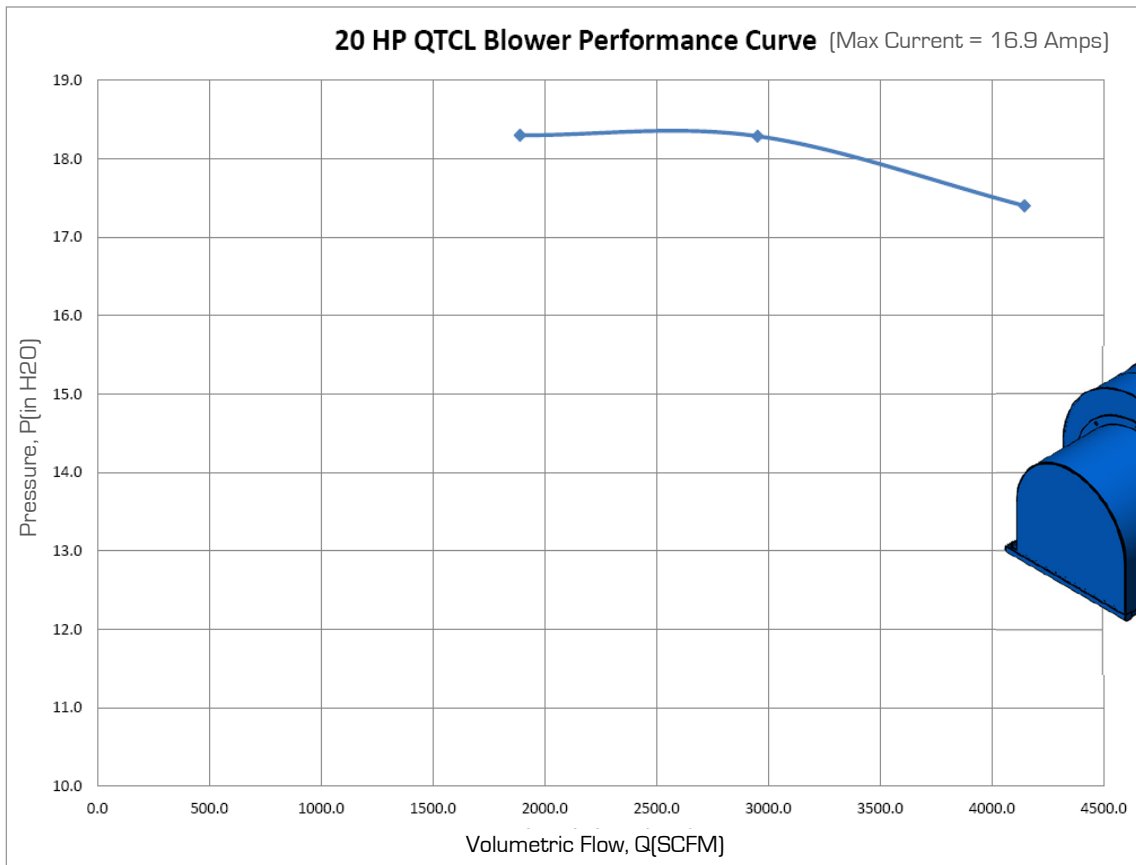
- Increased motor life
- Increased time between rebuilds
- Decreased moisture penetration
- Decreased contamination attacking insulation and windings
- Decreased commutator wear
- Less moisture in the motor produces:
 - Higher Megger readings
 - Decreased risk of flash over
 - 90% less contamination
- Less fuse change-outs
- Yields longer VFD/SCR lifetime
- Longer life between rebuilds
- Longer insulation life for motor

SPECIFICATIONS AND CHARACTERISTICS

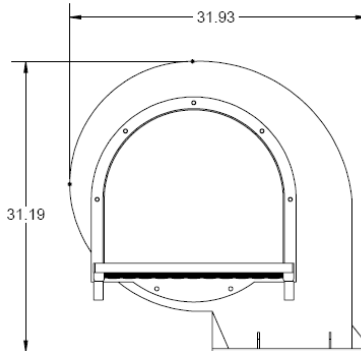
- Size: 20 HP
- Filtration Method: Patented Quiet Clean™
- Filtration Efficiency: 90+% on sand
- Construction: carbon steel
- Remote Mount version available
- Speed: 3600 RPM
- Motor: SIEMENS TEFC 20 HP 460 Vac 60 Hz
- Enclosure: TEFC/XP Cast Iron Construction
- Service Factor: 1.15



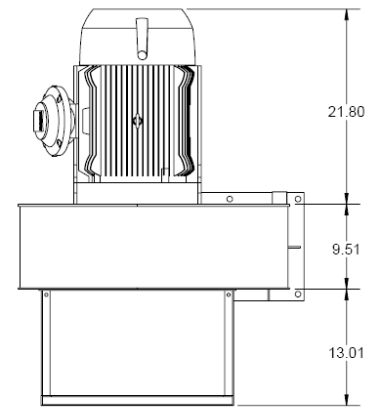
262282 GEQ QUIET CLEAN BLOWER PERFORMANCE AND SPECS



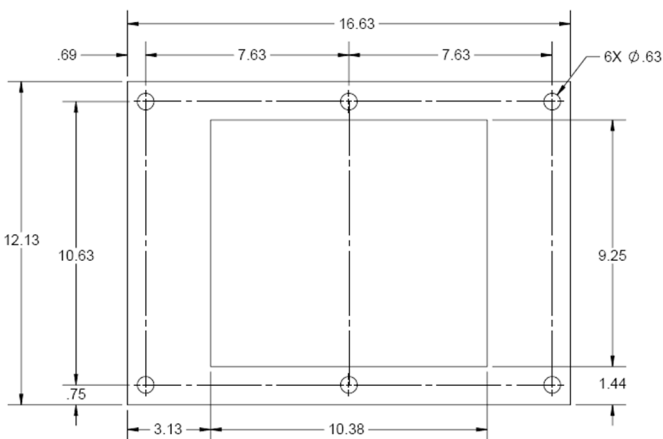
SIDE VIEW



FRONT VIEW



TOP VIEW



FLANGE DETAIL
SCALE 1 : 4

Utilizing **PATENTED Double Clean™ Self-Clean Drilling Motor Blowers** - US Patent No. 6,648,935



GULF ELECTROQUIP
ELECTRICAL MOTORS AND GENERATORS

425 North Wayside Drive, Houston, TX 77020 USA
gulfelectroquip.com | sales@gulfelectroquip.com | 713.675.2525

DISCLAIMER: Product specifications and availability are subject to change without notice. Statements in this website or digital publication PDFs are not intended to create any warranty - expressed or implied. Product trade names, marks or logos are the property of their respective owners. All photography and illustrations are copyrighted by Gulf Electroquip, 2014.